



NDI625

SKID STEER LOADER



**EXCELLENT PERFORMANCE
FULLY MEET THE NEEDS OF
VARIOUS USERS.**



NDI625 SKID STEER LOADER

Various accessories such as hammers, rippers, timber grabs, and rakes can be added to meet more job requirements.

Quick change can be convenient and quick to replace the auxiliary equipment.

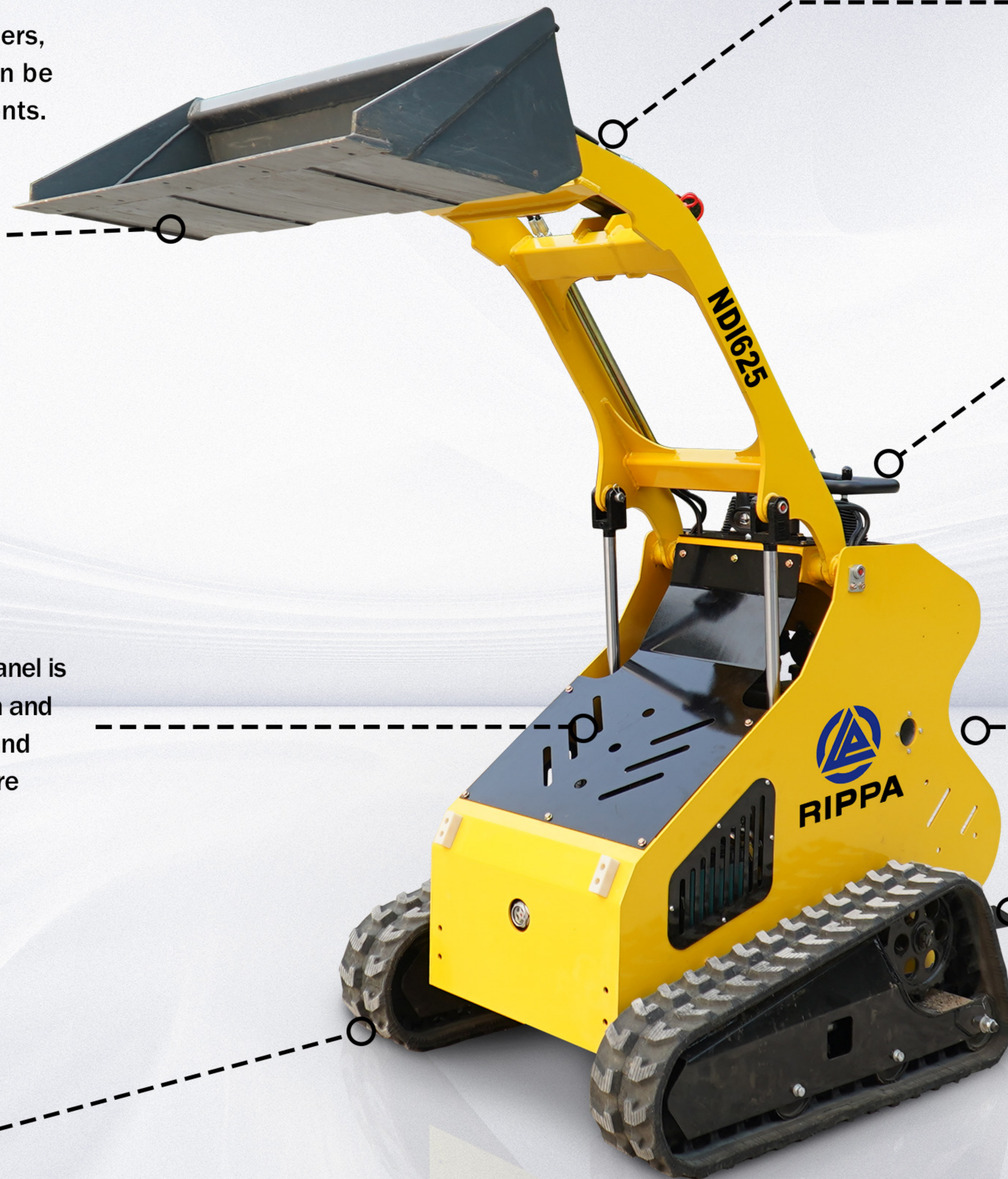
Safe operation, can realize 360° omni-directional operation

Detachable inspection panel is convenient for inspection and inspection of sprockets and travel motors can be more rigorous.

The engine adopts the big brand Briggs & Stratton twin-cylinder engine.

Both the wheel type and the crawler type adopt chain transmission (four driving forces), so that the transmission efficiency is higher

There are anti-skid stickers on the pedals to prevent slipping when operating the machine.



EXCELLENT BASIC PERFORMANCE



ENGINE

Compact structure and powerful performance design. The engine adopts large Runtong R420. At the same time, low fuel consumption, small vibration, low noise and consider. The environment has reached a high level.



PETROL ENGINE — RUNTONG R420

8.6 kw/3600rpm

[SPEED MODE ADJUSTMENT]
(standard configuration)

When working, just push the pull rod, the engine speed will automatically adjust the speed, and adjust the speed gear according to the working mode to make the work more humanized



[SUPPORT ROLLER]

Both wheeled and crawler types use chain drive (four driving force), so the transmission efficiency is higher, and they can work normally in harsh environments. The left and right walking is an independent hydraulic system, and the power is more sufficient.



SHOW MORE DETAILS



Oil pipeline

A metal oil pipe is used above the robotic arm, which is not easily damaged during work.



Operating handle

A single lever realizes forward, backward, steering and other actions, which is convenient for operation and has high and low speed functions.



Oil cylinder

Inverting the cylinder can effectively protect the cylinder rod from damage and extend the service life of the cylinder.



Bucket

It can be quickly disassembled and various accessories such as ripper, wood grabber, and rake can be added to meet more working requirements.

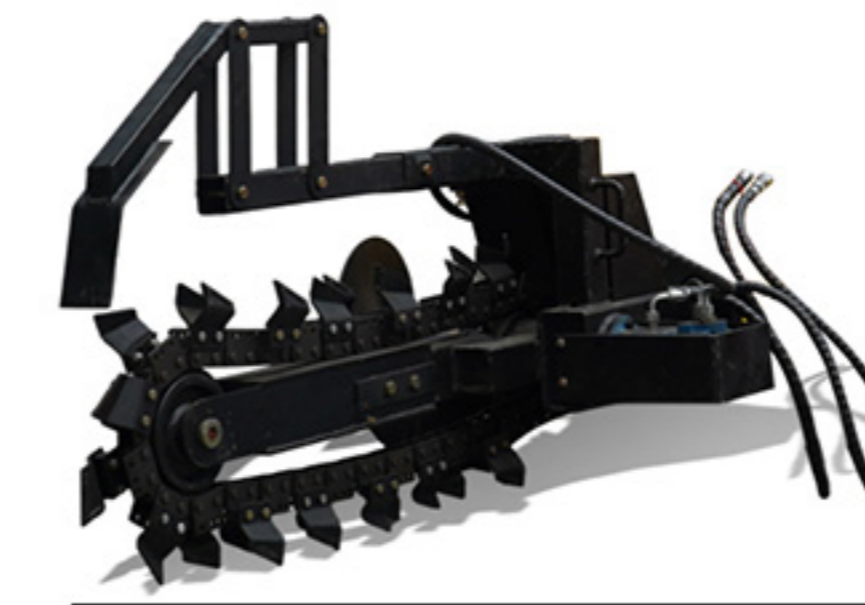


REPLACE ASSISTIVE DEVICEMODE (standard configuration)

When replacing auxiliary equipment such as hydraulic quick changers, breakers, and wood grabbers, you can easily replace them by pressing the button, which is convenient and quick.



MORE ACCESSORIES



Trencher



Trencher



Snow Blade



Grapple



Digger



Auger



Pallet Fork



Rock Bucket



Hydraulic breaker



Rotary drill



Angle Broom



Standard Bucket



4in 1 Bucket



Pile Driver



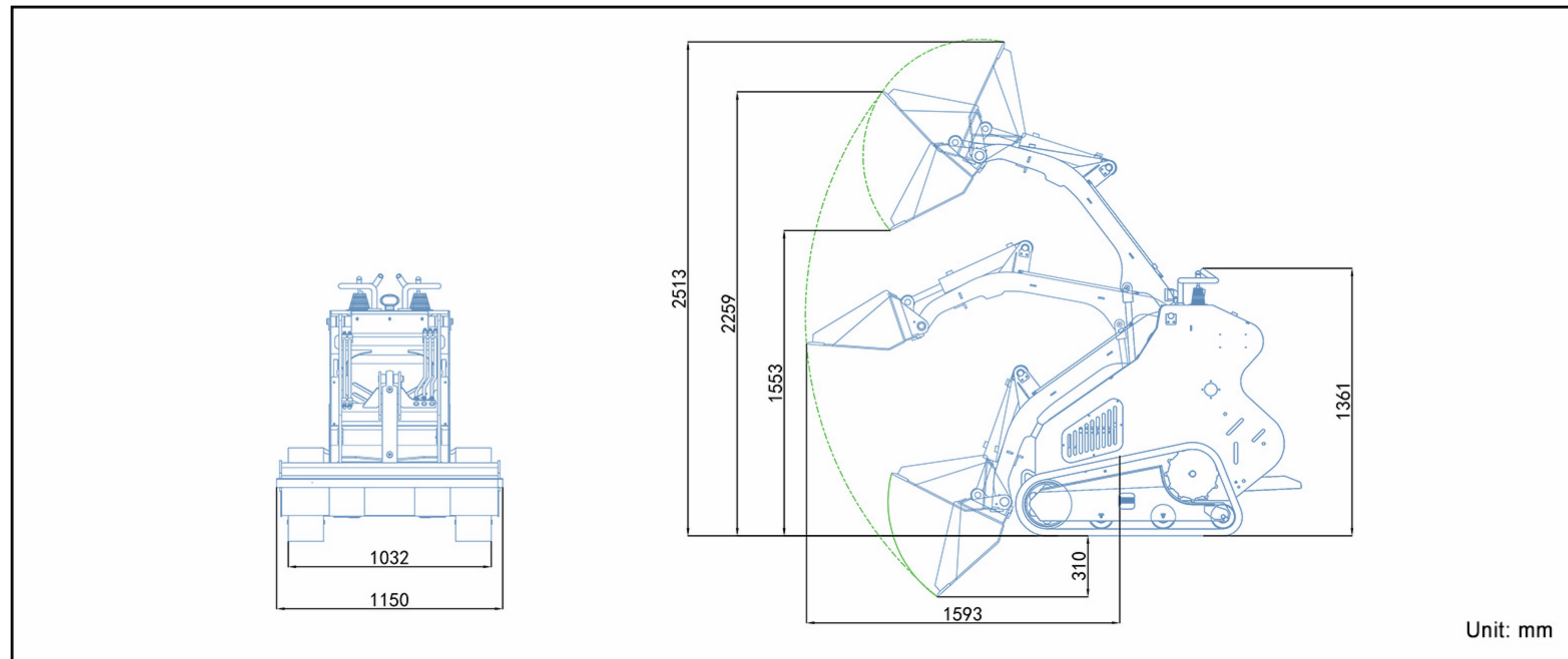
Fork Clamp



Ditch Compactor

DETAILED PARAMETER CONFIGURATION

Envelope diagram



Product parameter

Basic performance parameter

Overall dimensions (mm) (length*width*height)	1998*1150*1361
Bucket length (foot pedals retracted)	1998
Length without bucket (pedals retracted)	1527
Bucket width (mm)	1150
Ground distance (mm)	129
Gradeability(%)	25
Maximum loading height (mm)	2259
Maximum unloading height (mm)	1553
Maximum height (mm)	2513
Minimum height (mm)	1361
Bucket capacity (m ³)	0.15
Bucket loading mass (kg)	250
Track specifications (mm)	180*72*37
Hydraulic oil tank capacity (L)	18

POWERED BY Runtong R420



Engine

engine model	Runtong R420
Rated speed (r/min)	3600
Maximum power (kw)	8.6
Displacement (CC)	408
Number of cylinders	single cylinder
cooling method	air cooling
Engine oil replacement amount (L)	0.94
Fuel form	gasoline
Fuel tank capacity (L)	5

Hydraulic system

Rated pressure (MPa)	16MPa
Hydraulic pump displacement (ml/r)	0404
Hydraulic pump flow (L/min)	14.4+14.4
Traveling motor displacement (ml)	BM5-250
Multi-way valve	M45

WE ARE RIPPA

Shandong Rippa Machinery Group Co., Ltd. is located in the Sixth Industrial Park, Jining high tech Zone, Shandong Province. It is a state-level high-tech enterprise with the right to import and export;

The company's staff are vigorous and enterprising, and constantly create the legend and glory of the school!



Shandong Rippa Machinery Group Co., Ltd.

Add: No.6 Industrial Park, Chongwen Avenue 2166, Gaoxin District, Jining City, Shandong Province

Some specifications are based on engineering measurements and may deviate from actual conditions. Specifications are for comparison purposes only and are subject to change without notice. Specifications of individual RIPPA equipment will vary based on normal variations in design, manufacturing, operating conditions and other factors. Some pictures of RIPPA equipment are not limited to standard packages.



<https://www.rippaexcavator.com>