



NDI665

SKID STEER LOADER



**EXCELLENT PERFORMANCE
FULLY MEET THE NEEDS OF
VARIOUS USERS.**

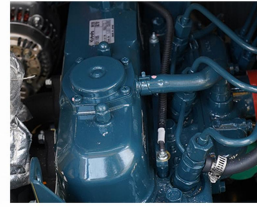


EXCELLENT BASIC PERFORMANCE



ENGINE

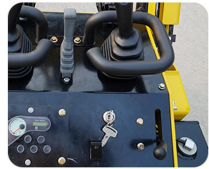
Compact structure and powerful performance design. The engine adopts Kubota engine. At the same time, low Low fuel consumption, small vibration, low noise and consider. The environment has reached a high level.



POWERED BY **Kubota**

[SPEED MODE ADJUSTMENT] (standard configuration)

When working, just push the pull rod, the engine speed will automatically adjust the speed, and adjust the speed gear according to the working mode to make the work more humanized.



[PILOT OPERATING HANDLE]

It adopts pilot handle operation, which saves effort during work, operates more smoothly and is more efficient. It has the characteristics of strong maneuverability, fast construction speed, strong adaptability and good reliability, and is mostly used in working situations under various terrain conditions.



NDI665 SKID STEER LOADER

Various accessories such as hammers, rippers, timber grabs, and rakes can be added to meet more job requirements.

Quick change can be convenient and quick to replace the auxiliary equipment.

The operating handle adopts pilot operation, making the work more precise and the movement smoother.

Detachable inspection panel is convenient for inspection and inspection of sprockets and travel motors can be more rigorous.

The engine adopts the big brand Briggs & Stratton twin-cylinder engine.

Both the wheel type and the crawler type adopt chain transmission (four driving forces), so that the transmission efficiency is higher

There are anti-skid stickers on the pedals to prevent slipping when operating the machine.



REPLACE ASSISTIVE DEVICEMODE (standard configuration)

When replacing auxiliary equipment such as hydraulic quick changers, breakers, and wood grabbers, you can easily replace them by pressing the button, which is convenient and quick.



MORE ACCESSORIES



Trencher



Trencher



Snow Blade



Grapple



Digger



Auger



Pallet Fork



Rock Bucket



Hydraulic breaker



Rotary drill



Angle Broom



Standard Bucket



4in 1 Bucket



Pile Driver

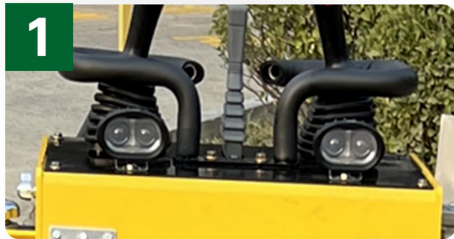


Fork Clamp



Ditch Compactor

SHOW MORE DETAILS



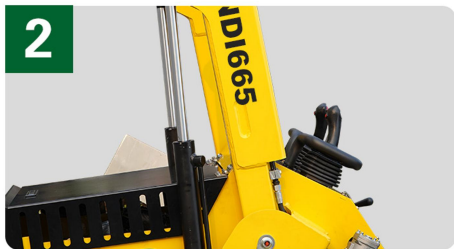
LED lights

The headlights are made of LED, which makes the vision clearer at night and increases work efficiency.



Pilot operating handle

Pilot handle operation makes the operation more labor-saving, smoother and more efficient during work.



Oil cylinder

Inverting the cylinder can effectively protect the cylinder rod from damage and extend the service life of the cylinder.



Track

Made of thickened wear-resistant rubber, it makes the machine more stable and safer when walking.

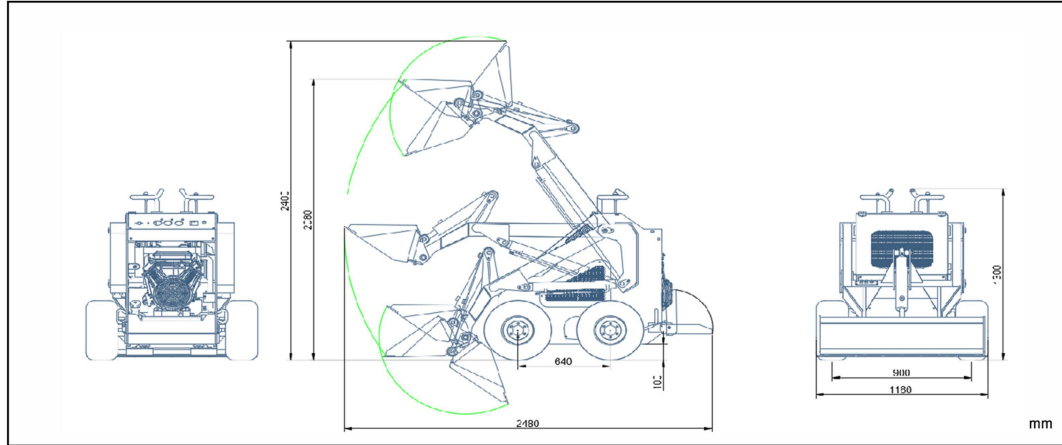


- ◆ The whole machine is small in size and strong in maneuverability
- ◆ In-situ steering can be achieved, making it easier to shuttle around crowded construction sites and construction sites;
- ◆ Enlarged and thickened bucket, not easy to corrode and rust, can quickly replace auxiliary tools, widely used and easy to operate;
- ◆ Big factory brand engine, strong power, stable operation, time-saving and labor-saving;
- ◆ The skid steer loader can be lifted to a high place with a crane, such as when building a building.



DETAILED PARAMETER CONFIGURATION

Envelope diagram

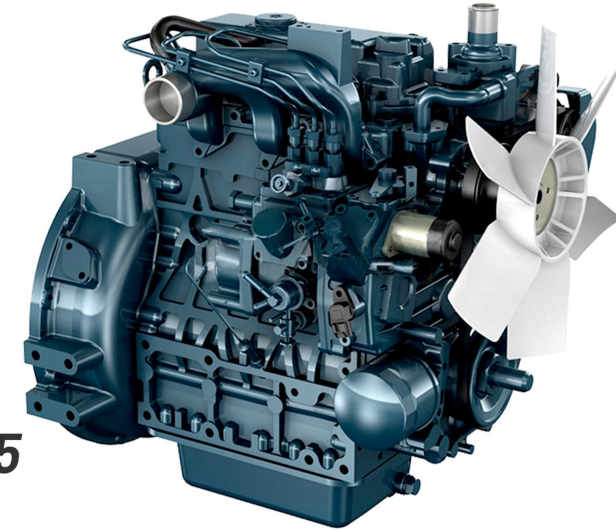


Product parameter

Body data	
Vehicle length (mm)	2792
Vehicle width (mm)	1235
Vehicle height (mm)	1522
Length without bucket (mm)	2150
Distance from ground (mm)	125
Body width (mm)	1040
Bucket width (mm)	1235
Maximum dumping angle (°)	30
Maximum unloading height (mm)	1647
Unloading range (mm)	710
Machine weight (kg)	1126
Work	
pressure	18MPa
Boom lifting time (S)	4.4
Unloading time (S)	3s
Falling time (S)	4s
Rated load capacity (Kg)	400
Bucket capacity (m ³)	0.2
Maximum load (kg)	650
Driving speed (km/h)	0-5

POWERED BY Kubota

Reliable KUBOTA engine designed to deliver powerful output and fuel efficiency



ENGINE MODEL --- **D1105**

18.2 kw/3000rpm

Optional Xinchai engine or perkins engine

Xinchai engine		Perkins engine	
engine model	Xinchai 3B11X51	engine model	403J-11-J84527R
Rated power (KW)	18.5	Rated power (KW)	18.4
Rated speed (rpm)	3000	Rated speed (rpm)	2800

Other parameters

plunger pump	model	Load Sensitive Piston Pump
	Rated pressure (MPa)	20
	Rated flow rate (L/min)	84
Multi-way valve	model	Load Sensing Anti-Saturation Flow Multiway Valve
	Rated pressure (MPa)	18
Travel motor	Rated displacement (ml/r)	400
control method	Full pilot control	

WE ARE RIPPA

Shandong Rippa Machinery Group Co., Ltd. is located in the Sixth Industrial Park, Jining high tech Zone, Shandong Province. It is a state-level high-tech enterprise with the right to import and export;

The company's staff are vigorous and enterprising, and constantly create the legend and glory of the school!



Shandong Rippa Machinery Group Co., Ltd.

Add: No.6 Industrial Park, Chongwen Avenue 2166, Gaoxin District, Jining City, Shandong Province



<https://www.rippaexcavator.com>

Some specifications are based on engineering measurements and may deviate from actual conditions. Specifications are for comparison purposes only and are subject to change without notice. Specifications of individual RIPPA equipment will vary based on normal variations in design, manufacturing, operating conditions and other factors. Some pictures of RIPPA equipment are not limited to standard packages.