



# SKID STEER LOADER RS04



**EXCELLENT PERFORMANCE, FULLY MEET THE NEEDS  
OF VARIOUS USERS.**



# EXCELLENT BASIC PERFORMANCE



## [ BRIGGS & STRATTON ]

Powerful performance in a compact design. The engine adopts the big brand Briggs & Stratton twin-cylinder engine. At the same time, low fuel consumption, low vibration, low noise, and consideration for the environment have been achieved at a high level.



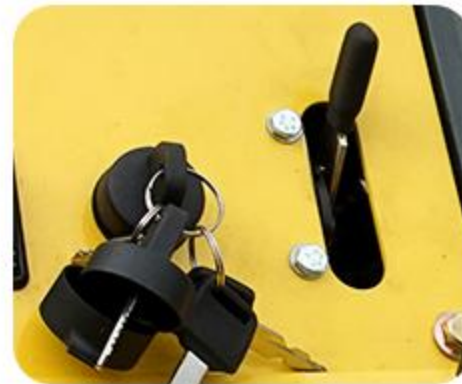
DIESEL ENGINE ——— 3864

**17** kw/3600rpm

## [ SPEED MODE ADJUSTMENT ]

(standard configuration)

When working, just push the pull rod, the engine speed will automatically adjust the speed, and adjust the speed gear according to the working mode to make the work more humanized



## [ REPLACE ASSISTIVE DEVICE MODE ] (standard configuration)

When replacing auxiliary equipment such as hydraulic quick changers, breakers, and wood grabbers, you can easily replace them by pressing the button, which is convenient and quick.



# RS04 SKID STEER LOADER

Various accessories such as hammers, rippers, timber grabs, and rakes can be added to meet more job requirements.

Quick change can be convenient and quick to replace the auxiliary equipment.

Safe operation, can realize 360° omni-directional operation

Detachable inspection panel is convenient for inspection and inspection of sprockets and travel motors can be more rigorous.

The engine adopts the big brand Briggs & Stratton twin-cylinder engine.

Both the wheel type and the crawler type adopt chain transmission (four driving forces), so that the transmission efficiency is higher

There are anti-skid stickers on the pedals to prevent slipping when operating the machine.



# SHOW MORE DETAILS



# IMAGE DISPLAY



The auxiliary device operating lever has a self-locking function, which is more convenient to operate and saves time and effort.



The oil pipe adopts a built-in pipe arrangement, which can effectively protect the oil pipe, reduce wear and tear and prolong the service life of the oil pipe.



Lifting rings are provided on the front and rear of the machine for easy lifting of the machine.

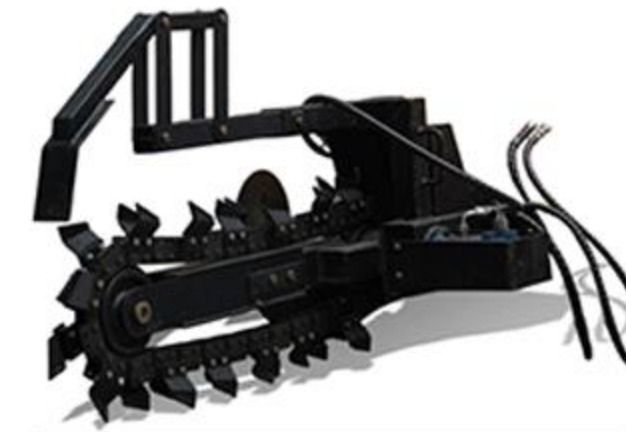


The inversion of the cylinder can effectively protect the cylinder rod from damage and prolong the service life of the cylinder.



# REPLACE ASSISTIVE DEVICEMODE

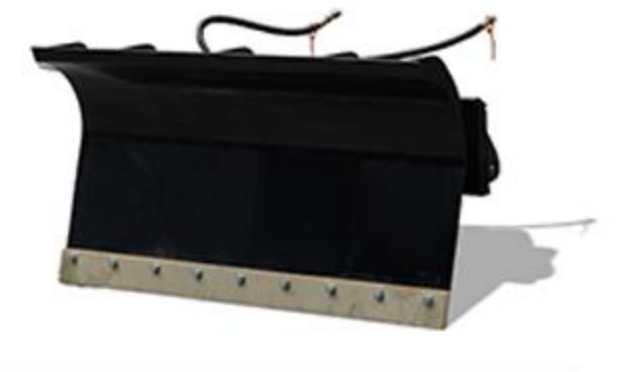
When replacing auxiliary equipment such as hydraulic quick changers, breakers, and wood grabbers, you can easily replace them by pressing the button, which is convenient and quick.



**Trencher**



**Trencher**



**Snow Blade**



**Grapple**



**Hydraulic breaker**



**Rotary drill**



**Angle Broom**



**Standard Bucket**



**Digger**



**4in 1 Bucket**



**Pallet Fork**



**Rock Bucket**



**Pile Driver**



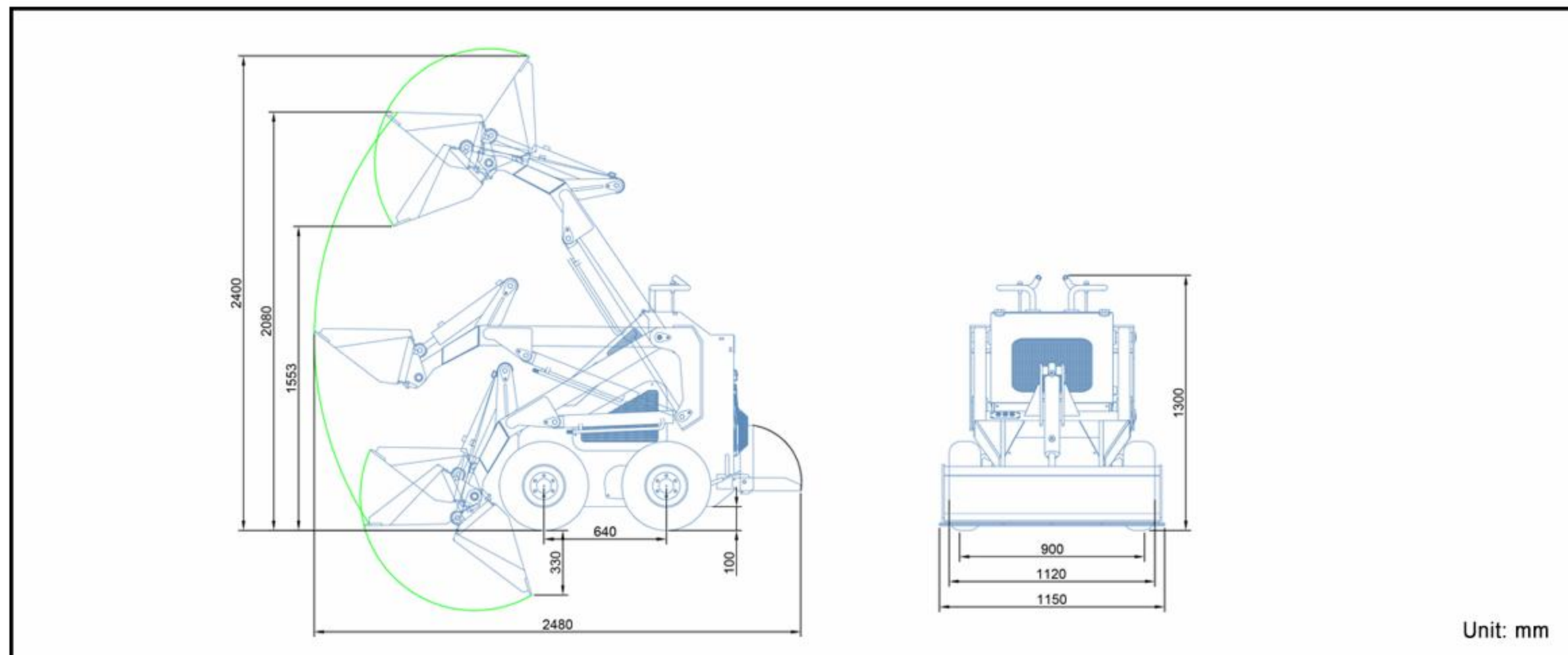
**Fork Clamp**



**Ditch Compactor**

# DETAILED PARAMETER CONFIGURATION

## Envelope diagram



## Product parameter

### Basic performance parameter

Machine working weight	875kg	1925lb
Bucket capacity	0.15m <sup>3</sup>	5.3ft <sup>3</sup>
Rated load mass (safe load)	175kg	385lb
Maximum load mass	350kg	770lb
Travel speed low/high speed	0-3km/h	0-1.86mph
Gradeability	25%	25%
Ground pressure	76.31kpa	17155psi
Maximum unloading height	1553mm	61.1in
Maximum loading height	2080mm	81.9in
Maximum unloading distance	550mm	21.7in
Minimum ground clearance	108mm	4.3in

### Body

Transport length - with bucket (mm)	1970mm	77.6in
Transport length - without bucket (mm)	1520mm	59.8in
Transport width (mm)	1150mm	45.3in
Transport height (mm)	1300mm	51.2in
Bucket width (mm)	1150mm	45.3in



## POWERED BY Briggs & Stratton

### Engine

Engine brand	Briggs & Stratton	Briggs & Stratton
Engine model	3864	3864
Maximum horsepower	23ps	22.8hp
Maximum power	17kw	17kw
Maximum speed	3600rpm	3600rpm
Displacement	0.42L	0.11gal
Number of cylinders	2	2
Cooling method	Air cooling+oil cooling	Air cooling+oil cooling
Engine oil change amount	1.7	0.445gal
Fuel form	gasoline	Gasoline
Fuel grade	92#	92#
Theoretical fuel consumption	0.8-1.2	0.211-0.317gal

### Hydraulic system

Main pump type/model	Gear pump PGP55522H92
Main pump brand	Tianjin Walk
Multi-way valve brand	Tengfei
Travel hydraulic motor type	Deston BM5-315
Travel motor brand	Deston

# WE ARE RIPPA

Shandong Rippa Machinery Group Co., Ltd. is located in the Sixth Industrial Park, Jining high tech Zone, Shandong Province. It is a state-level high-tech enterprise with the right to import and export;

The company's staff are vigorous and enterprising, and constantly create the legend and glory of the Rippa!



**Shandong Rippa Machinery Group Co., Ltd.**

Add: No.6 Industrial Park, Chongwen Avenue 2166, Gaoxin District, Jining City, Shandong Province

Some specifications are based on engineering measurements and may deviate from actual conditions. Specifications are for comparison purposes only and are subject to change without notice. Specifications of individual RIPPA equipment will vary based on normal variations in design, manufacturing, operating conditions and other factors. Some pictures of RIPPA equipment are not limited to standard packages.



[www.rippa.com](http://www.rippa.com)