



MINI EXCAVATOR

R10 ECO



Note: The hydraulic thumb clamp in the picture is an optional model, and the standard model does not have a hydraulic thumb clamp

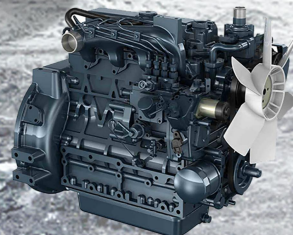
Ultra compact dimensions superb operator protection minimal tail swing everything you need to get the job done



There's a lot to like about RIPPAs new ultra-compact excavators. They're so compact you can easily work safely in tight spots. They also have an improved control layout*, and upgraded comfort features to keep you working efficiently and comfortably. Best of all, you can depend on these RIPPA ultra-compact excavators to get the job done with speed and efficiency.

SIDE LEVER LAYOUT

The control levers of the R110 ECO are positioned to the sides of the seat for a better, more relaxed operator working posture and excellent forward visibility.



RIPPA ULTRA-COMPACT EXCAVATORS



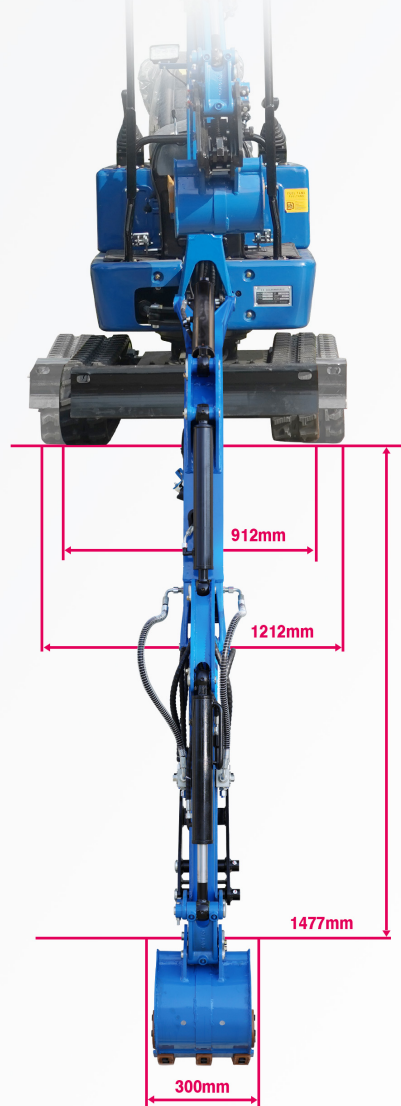
Maximum horsepower (ps) : 11.23

Maximum power (Kw) : 8.2

Maximum speed (rpm) : 3000

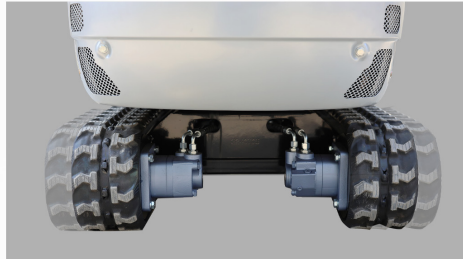
PERFORMANCE / SAFETY

From an adjustable track gauge and two-speed travel pedal to Engine Safety Start and a new boom-mounted LED work light, this ultra-compact excavator is designed for maximum performance and safety.



1 Adjustable Track Gauge

The R10 eco hydraulically adjustable track gauge can be narrowed down to 912mm in seconds with a simple single lever operation to allow navigation in tight spaces. Conversely, you can widen the track gauge all the way up to 1212mm. Its quick-fold blade adjusts to size instantly with the simple pull of a pin. When adjusted down, these ultra-compact excavators can easily fit through most doorways, allowing access inside buildings.



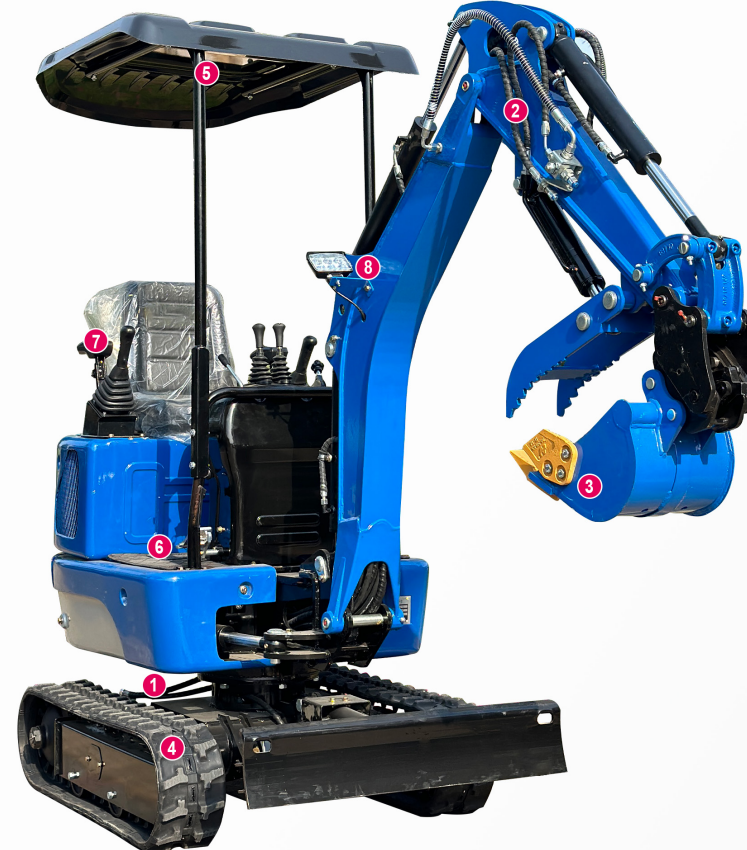
2 Digging Range

The subcompact excavator excels at digging, with a surprisingly wide working and digging range for such a small excavator.



3 Large-capacity bucket

Large-capacity bucket can load more materials. The bucket is strong and durable, which greatly improves the working efficiency.



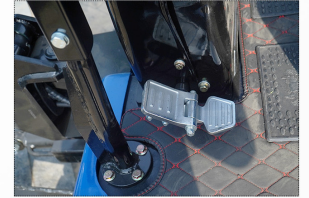
4 New cast drive wheel

The new casting drive wheel, the hemispherical structure disperses the stress concentration, and has a longer service life.



6 Foot pedal

The foot pedal is set to facilitate the side swing and extension of the excavator, freeing the driver's hands and improving work efficiency.



7 Pilot operation

The unload lever enhances work safety by preventing unintended operation of the front attachment, dozer, AUX, swiveling, or traveling when the machine is in locked position.

8 LED Boom Work Light

Bright LED boom work light provides plenty of illumination for nighttime tasks.



5 Removable cab roof

The removable cab roof and removable protective structure are standard. With the cab removed, you can easily transport the ultra-compact excavator on a truck and enter the interior under the doorway to work.



Comfortable and safe driving experience



1 ACTION BUTTON

The operation buttons are centralized and concise, which is convenient for the driver to operate. They are equipped with safety lock and lighting functions, which meet the basic operation needs of the operator and effectively improve work efficiency.



4 DOUBLE-SIDED PILOT

The two-side pilot operation provides the excavator with higher operating precision and efficiency, while improving the operator's comfort and safety, allowing the excavator to perform well in various working conditions.

2 STORAGE BOX

The rear seat is equipped with a storage box, which can hold some items and has a storage function.

3 COMFORTABLE SEATS

Adjustable seat, ergonomically designed to support the operator's back, waist and neck, reducing fatigue caused by long-term operation.



5 DASHBOARD

The function area is centralized and the dashboard is set up to facilitate the operator to control the basic status of the vehicle in real time.



SERVICE

The rear opening hood provides easy access to the engine, and maintenance is simple with the hydraulic service port plumbing conveniently located and protected.

ENGINE COVER

The rear-opening operator seat on the hood can be flipped up to reveal a large portion of the engine, allowing easier access to components.



TWO-PIECE HOSE DESIGN

When an on-site replacement of a dozer cylinder supply hose is necessary, its two-piece design simplifies the job.

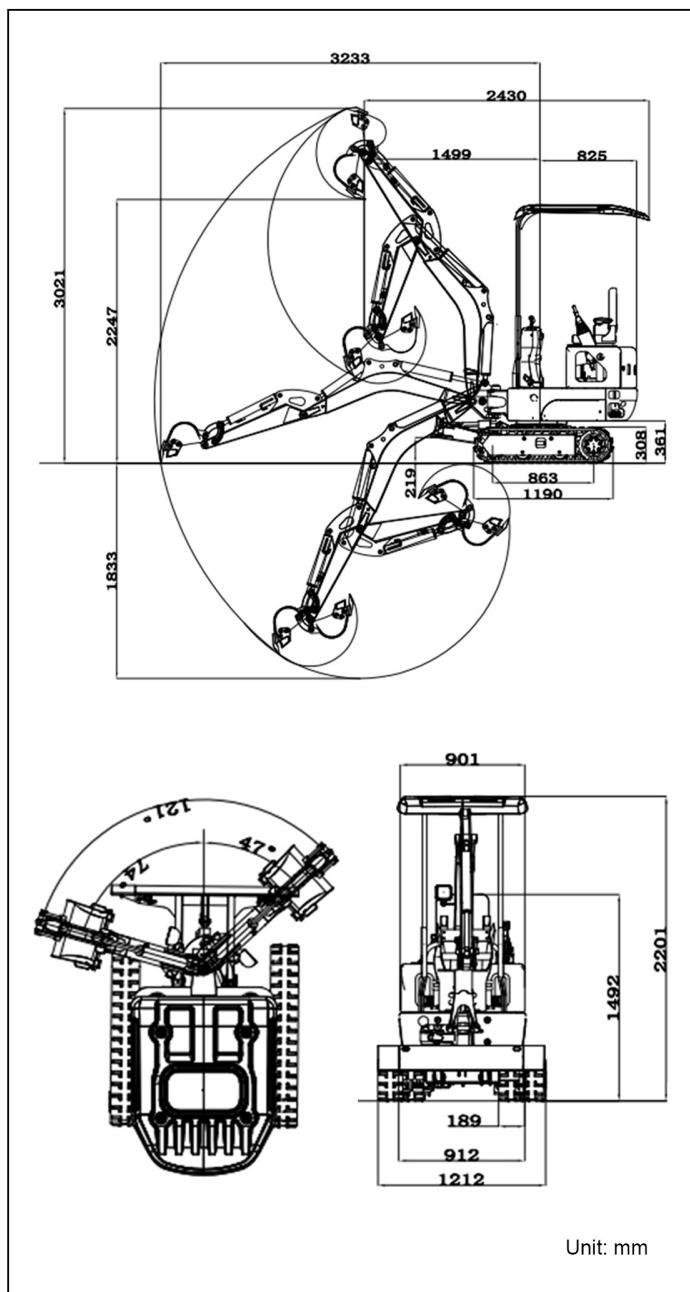


Protected Hydraulic Service Port Pipes

With the R10 ECO, you'll never need to replace the hydraulic service port pipes again. To reduce the risk of damaging the hydraulic piping, the service port pipes are hidden inside the boom, and its service ports are conveniently located at the end of the boom.



■ SCOPE OF WORK



■ SPECIFICATION

Model		R10 ECO
Basic parameters	Machine working weight (kg)	1000
	Bucket capacity (m³)	0.014
	Travel speed low/high speed (Km/h)	0-1.5
	Gradeability (%)	30%
	Ground pressure (Kpa)	25.53
	Maximum digging force (kN)	9.2
	Maximum digging radius (mm)	3233
	Maximum digging depth (mm)	1833
	Maximum digging height (mm)	3021
	Maximum unloading height (mm)	2247
	Maximum deflection angle (°)	121
	Track extension range (mm)	912-1212
Engine	Engine brand	Kubota
	Engine model	Z482
	Maximum horsepower (ps)	11.234
	Maximum power (Kw)	8.2
	Maximum speed (rpm)	3000
	Displacement (L)	0.479
	Number of cylinders	2
	Cooling method	Water-cooled
	Engine oil change amount (L)	1.2
	Fuel form	Diesel
	Fuel grade	0/-10
	Theoretical fuel consumption (L/h)	0.8-1.2
Body	Transport length (mm)	2430
	Transport width (mm)	912
	Transport height (mm)	2201
	Counterweight ground clearance (mm)	361
	Bucket width (mm)	300
	Boom length (mm)	1477
	Arm length (mm)	800
	Bulldozer blade width (mm)	912-1212

■ HYDRAULIC SYSTEM

Main pump type/model	306
Main pump brand	Tianjin Walking/Shengjie
Main pump maximum flow (L/min)	18L/min
Multi-way valve	2+2+5 joints
Multi-way valve brand	Tengfei
Rated set pressure (Mpa)	18MPa

Maximum set pressure (Mpa)	20MPa
Travel hydraulic motor type	BM6-315
Travel motor brand	Paiyi/Zhenjiang Dali
Motor displacement	315
Slewing hydraulic motor type	BM2-315
Displacement	315

- **GESTION HJ**Please read the instruction manual carefully and use the machine correctly.
- Always wear a seat belt when working. (ROPS specifications only)
- If you are operating construction machinery with a machine mass of less than 3 tons, you must take the "Special Training for Vehicle-Mounted Construction Machinery Operation" course beforehand. If the machine mass is 3 tons or more, you must take the "Vehicle-Mounted Construction Machinery Operation Skills Course".
- To prevent breakdowns and accidents, be sure to inspect the machinery regularly.
- Specific voluntary inspections are required to be carried out by an inspection company registered with the Minister of Health, Labor and Welfare or the Director-General of the Labor Standards Inspection Bureau.

WE ARE RIPPA

Shandong Rippa Machinery Group Co., Ltd. is located in the Sixth Industrial Park, Jining high tech Zone, Shandong Province. It is a state-level high-tech enterprise with the right to import and export;

The company's staff are vigorous and enterprising, and constantly create the legend and glory of the school!



Shandong Rippa Machinery Group Co., Ltd.

Add: No.6 Industrial Park, Chongwen Avenue 2166, Gaoxin District, Jining City, Shandong Province

Some specifications are based on engineering measurements and may deviate from actual conditions. Specifications are for comparison purposes only and are subject to change without notice. Specifications of individual RIPPA equipment will vary based on normal variations in design, manufacturing, operating conditions and other factors. Some pictures of RIPPA equipment are not limited to standard packages.



<https://www.rippa.com>