



RIPPA GROUP

R13PRO



Ultra-compact construction machine with excellent accessibility to narrow spaces and stability

R13PRO



The feature of R13 PRO

Features and Functions



1 Front-mounted control lever

The front-mounted operating lever ensures ample space for the feet and around the driver's seat.



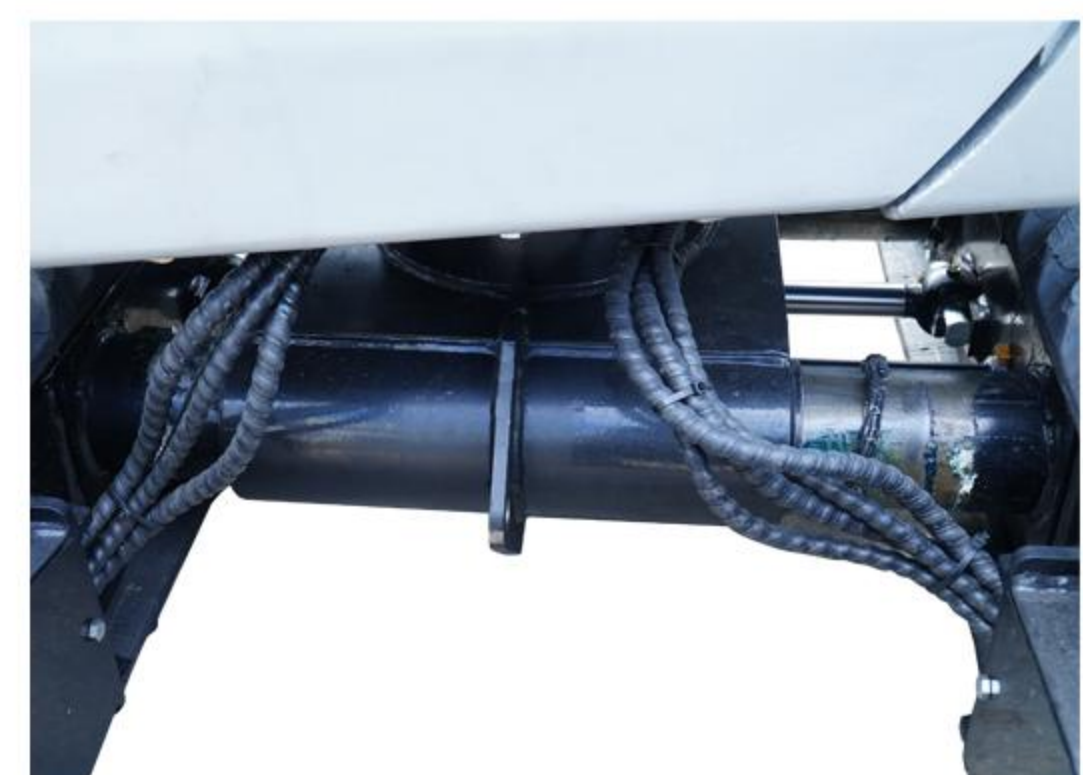
2 Operation Lock Lever

It is equipped with an engine neutral start function that prevents the engine from starting unless the operation lock lever is in the raised position.



3 Fully openable bonnet

The fully-opening bonnet opens wide to the rear, making it easy to carry out daily inspections and part replacements around the engine and fuel system.



4 Towing hook

A hook is equipped on the rear of the frame.



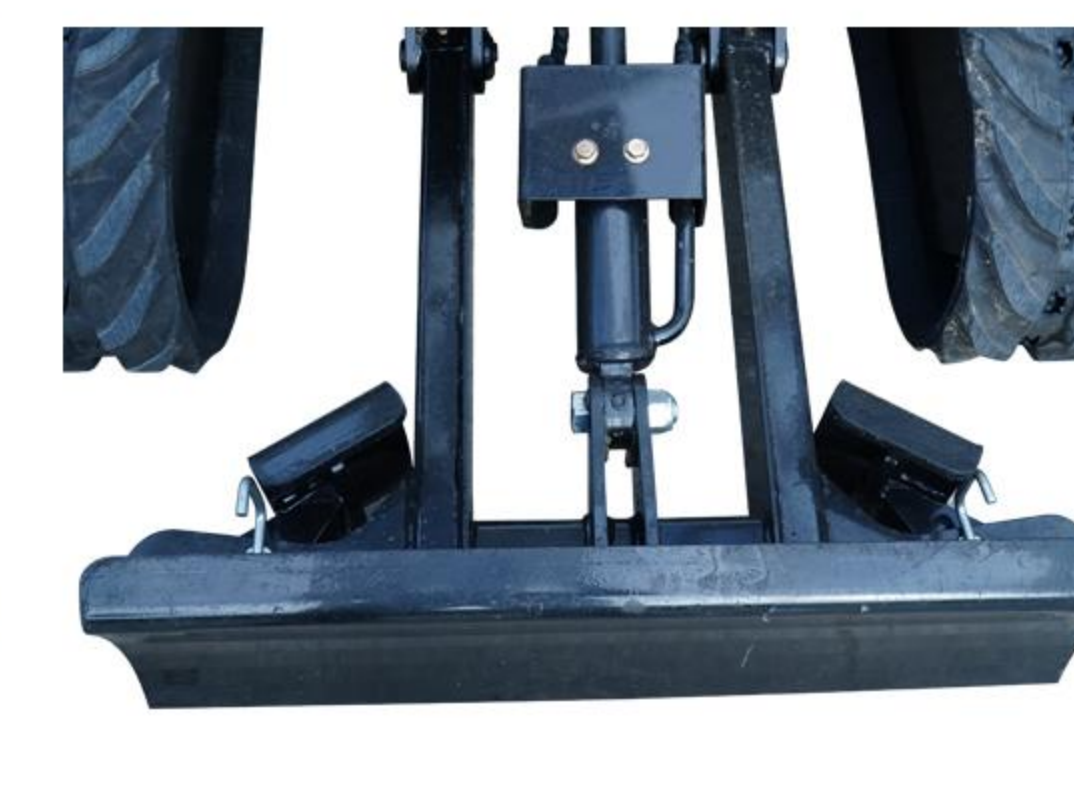
5 Air Filter

Prevent dust and impurities from entering the engine's air intake system, thus extending the engine's service life



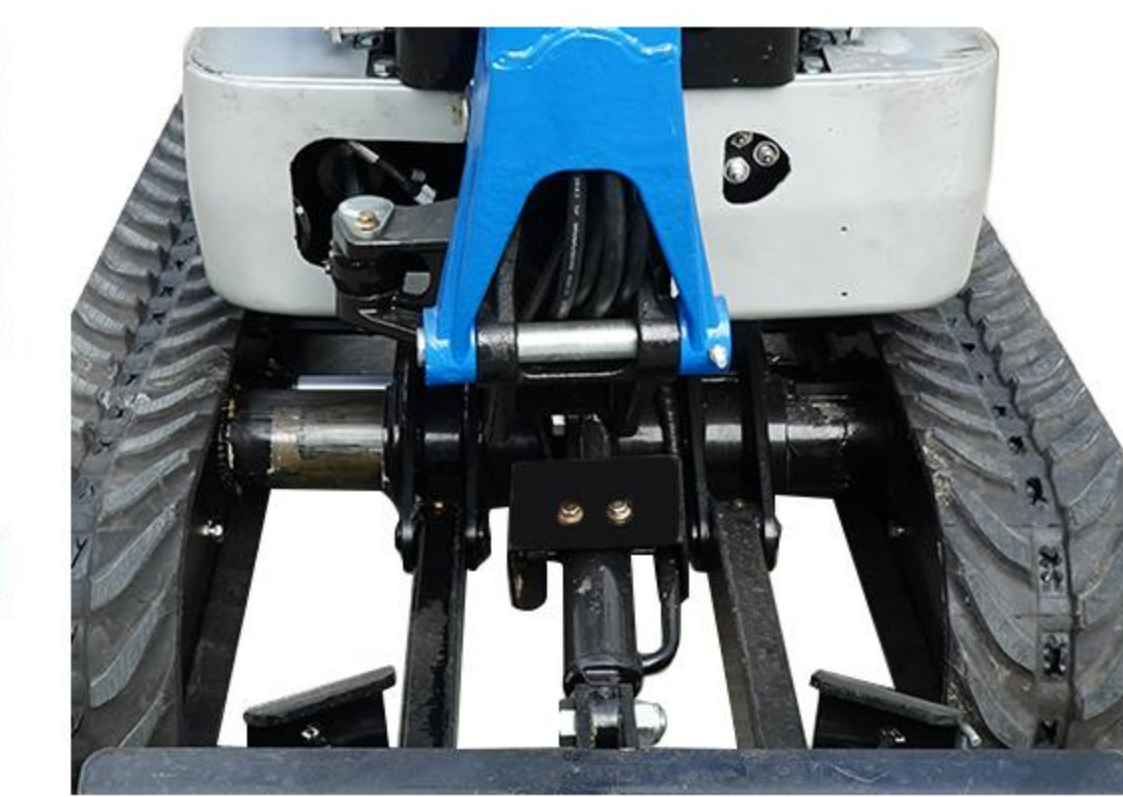
6 Operation Switching

You can switch between two operation patterns by moving the lever without the need for tools.



7 Extended bulldozer blade

The width of the dozer blade can be easily extended by removing and attaching the pin.



8 Split Dozer Hose

In the event of unexpected damage, the hose can be easily replaced.



9 LED Light

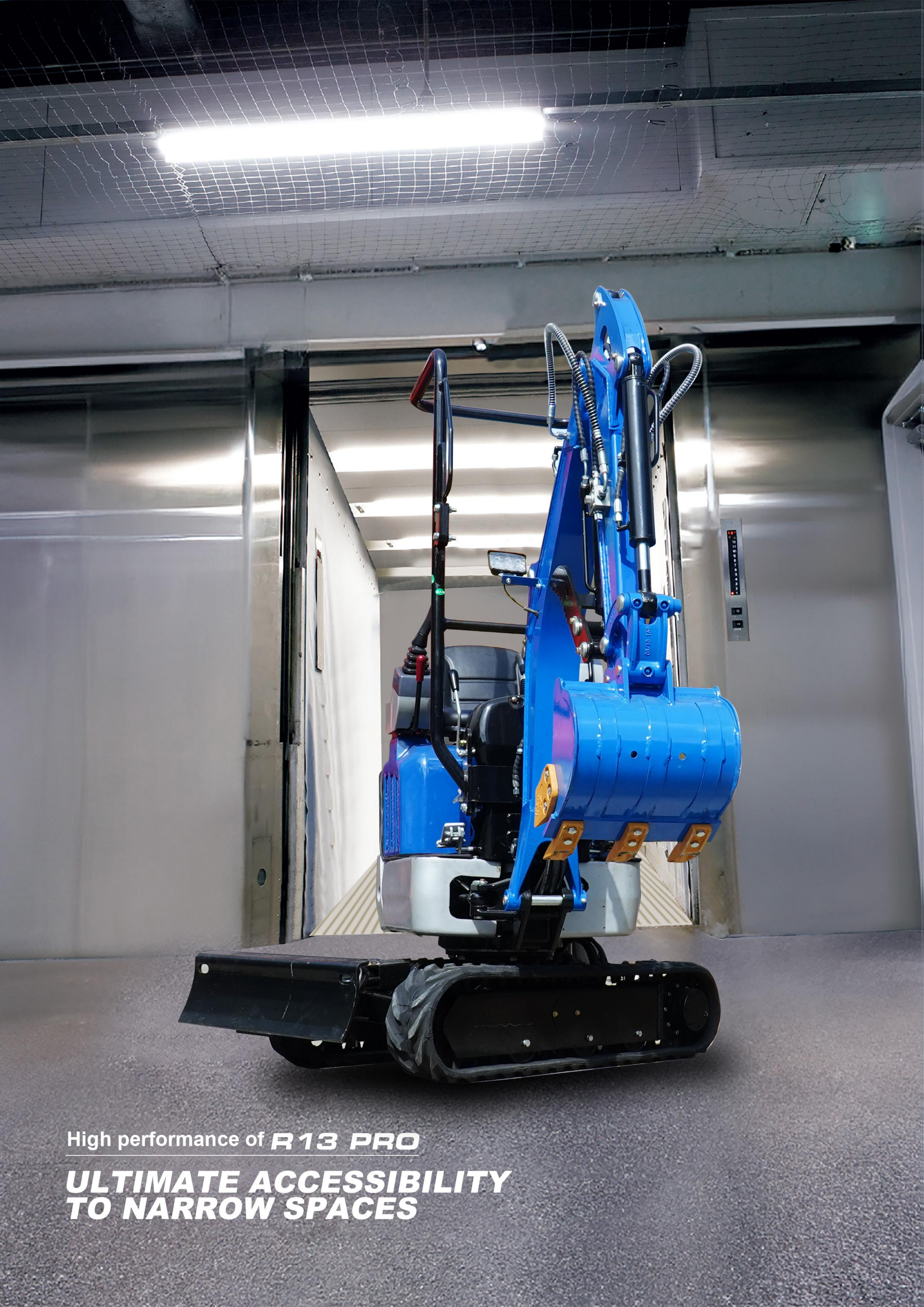
It comes standard with an LED light that generates little heat and is resistant to vibration.



10 Rear boom cylinder

You can scoop up large stones and concrete pieces with the bucket, load them onto a dump truck, or work with a mounted breaker without worrying about damaging the boom cylinder.





High performance of **R13 PRO**
**ULTIMATE ACCESSIBILITY
 TO NARROW SPACES**



Variable leg retracted: 750mm

Variable leg extension: 990mm

Variable leg specifications

It uses variable leg crawlers that can be easily extended and retracted by operating a lever. By contracting the crawler width, it can easily pass through narrow passages and between gates, and when expanded it is highly stable and can handle a variety of tasks. The blade width can be easily extended by attaching and removing the pin.

※ Please extend the crawler when working.



Rear small swing machine

The rear radius is 506mm, making it easy to work in tight spaces or close to walls. In addition, the rear end overhang is only 15mm when turning, making it compact and allowing you to turn in tight spaces without hesitation.



Rear turning radius 506mm

Overhang width
11mm



Can be excavated in narrow spaces

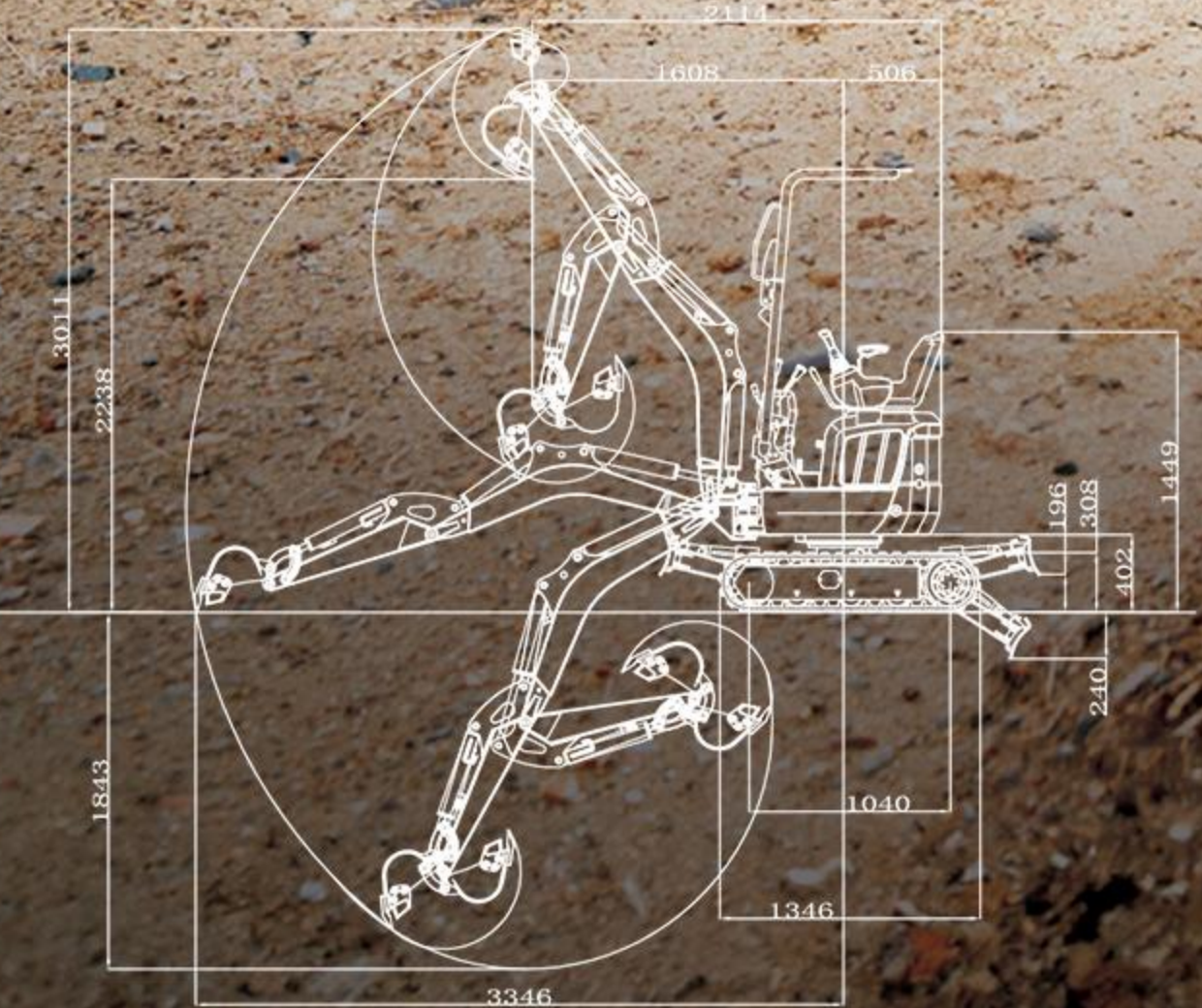
By swinging the work machine, excavation in narrow spaces and near walls is possible.

Boom swing angle (right): 50°
 Boom swing angle (left): 55°



High performance of **R13 PRO**

Reliable excavation performance

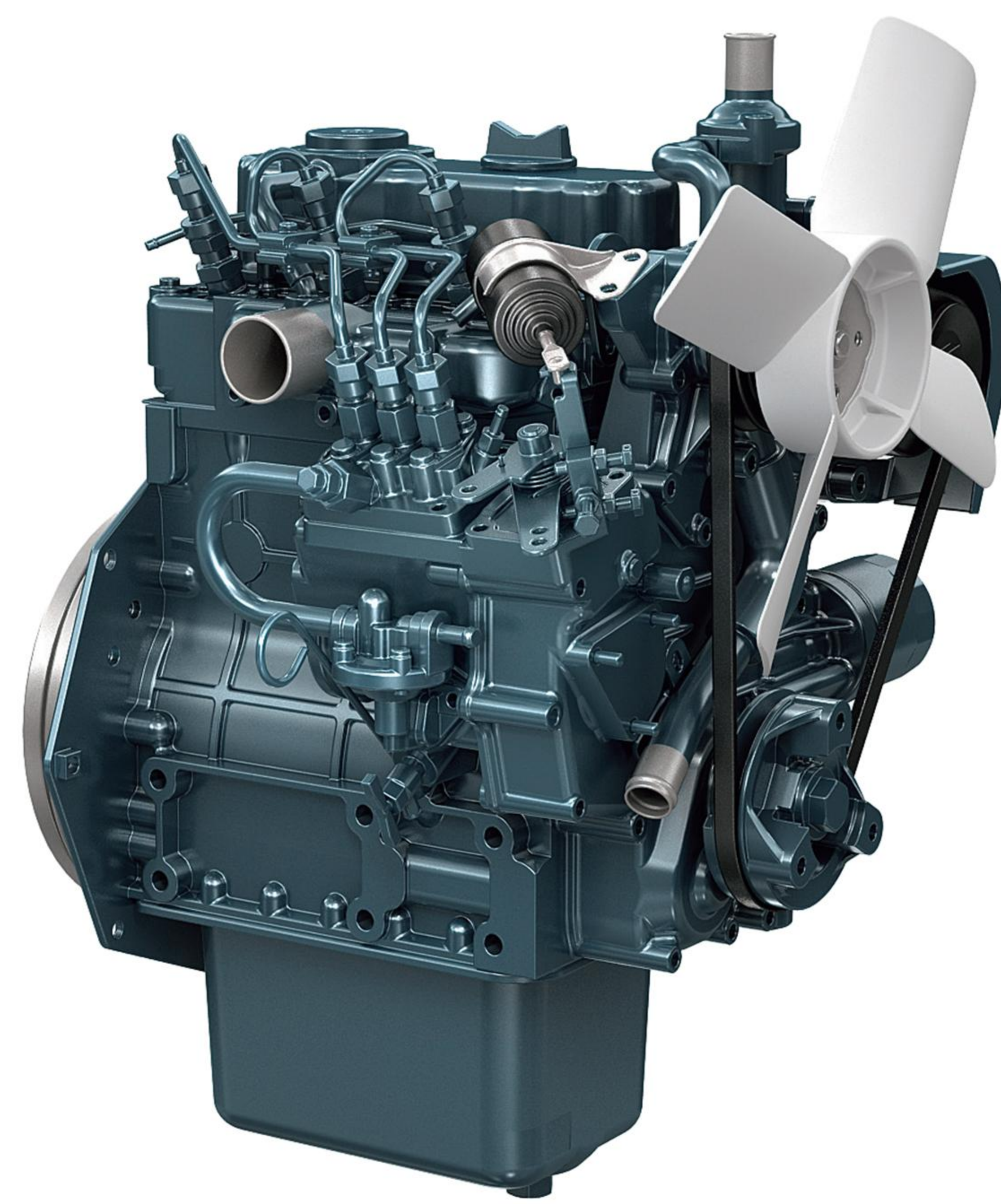


Wide working range

Despite its compact size (1 ton class), it has powerful excavation performance and a wide working range. It makes it easy to load soil onto trucks and excavate.

Maximum digging radius
3346MM

Maximum excavator depth
1843MM



Kubota 3 cylinder engine

Equipped with a high-torque, low-vibration Kubota 3-cylinder engine, it provides powerful digging power.

Engine type: D722 - E4 - BH - 5US
Rated power/speed: 7.6rpm (10.3PS)/2,050rpm



Oil pressure control system

It is equipped with a hydraulic pilot lever that allows smooth operation and one-touch pattern switching.



Environmental friendly

The ultra-low-pitched engine reduces noise problems during urban construction and at night. Environmentally friendly, in compliance with Euro 5 and EPA 4 emission standards

The feature of **R13 PRO**
Safety and Security Design



Fully opening bonnet and bonnet grip

The fully opening bonnet opens wide at the rear. This allows for easy daily inspection and part replacement around the engine and fuel system. A bonnet grip has also been added to make opening and closing the bonnet easier.



Split dozer hose

The hose can be easily replaced even if it is accidentally damaged while driving on rough ground.



Towing hook

The frame is equipped with a hook on the rear



Rear-mounted boom cylinder

You can scoop up large stones or concrete pieces with a bucket, load them onto a dump truck, or work with an on-board breaker without worrying about damaging the boom cylinder.



Operation Lock Lever

It is equipped with an engine neutral start function that prevents the engine from starting unless the operation lock lever is in the raised position.



LED Light

It comes standard with an LED light that generates little heat and is resistant to vibration.

ROPS specification (optional)



Front ROPS bar

This protects the operator from the danger of falling over. It can also be folded up to accommodate different heights for transport etc.

※ROPS (Roll Over Protective Structure)

This stands for "rollover occupant protection structure," and refers to a structure that protects the operator wearing the seat belt from danger when the machine rolls over.



Slide seat & retractable seat belt

The slide seat can be adjusted in four stages to suit the operator's physique, allowing them to work in a comfortable position.

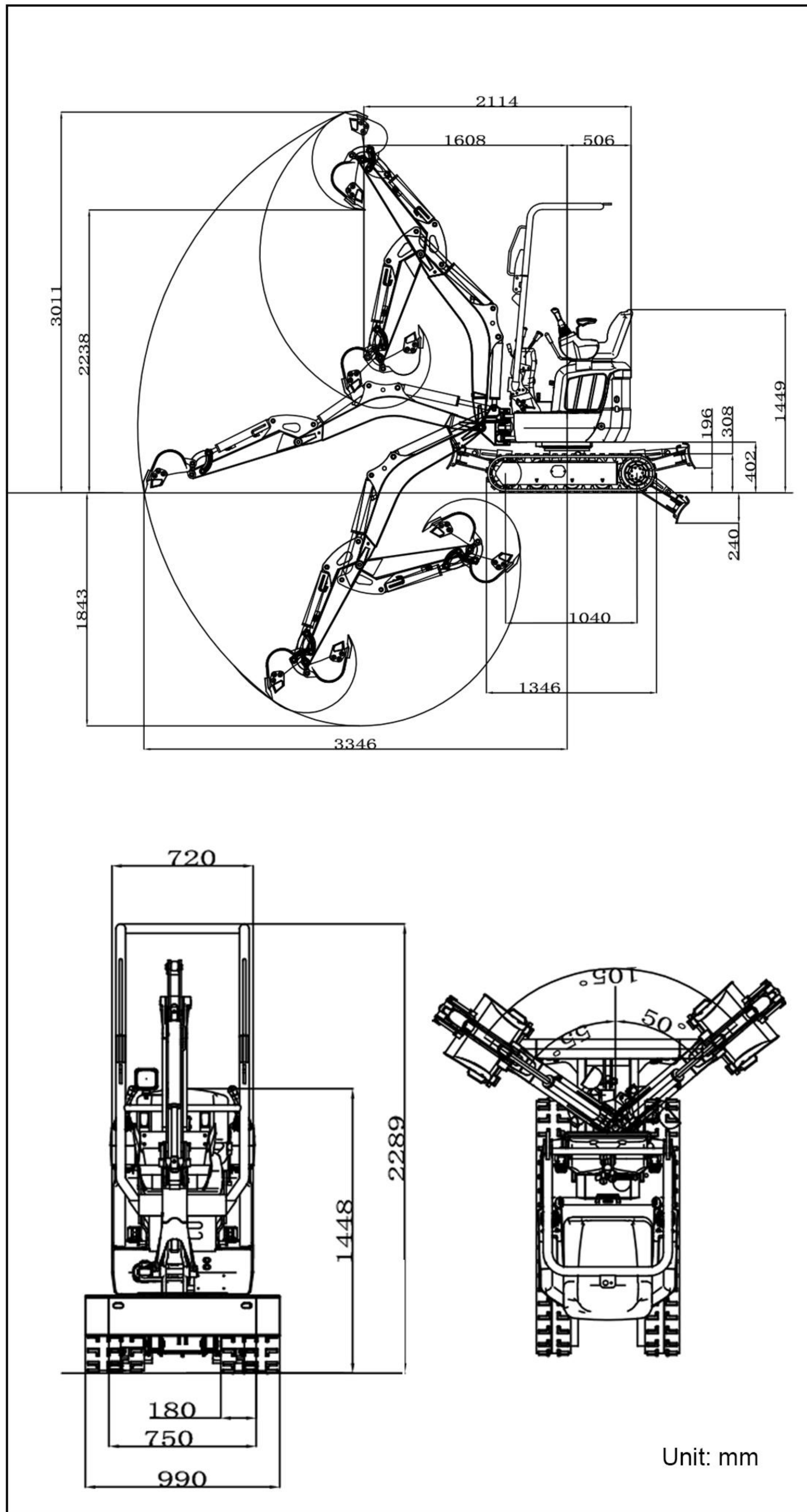
※ When using a ROPS system, be sure to fasten the seat belt when working.



Instruction manual and tool box

A box for storing instruction manuals and tools is provided under the seat.

■ SCOPE OF WORK



■ SPECIFICATION

	Model	R13 PRO
Basic parameters	Machine working weight (kg)	1165
	Bucket capacity (m³)	0.03
	Travel speed low/high speed (Km/h)	0-1.5/0-2.8
	Gradeability (%)	30%
	Ground pressure (Kpa)	26.79
	Maximum digging force (kN)	9.8
	Maximum digging radius (mm)	3346
	Maximum digging depth (mm)	1843
	Maximum digging height (mm)	3011
	Maximum unloading height (mm)	2238
	Maximum deflection angle (°)	105
	Track extension range (mm)	750-990
	Engine	Engine brand
Engine model		D722
Maximum horsepower (ps)		13.97
Maximum power (Kw)		10.2
Maximum speed (rpm)		2500
Displacement (L)		0.719
Number of cylinders		3
Cooling method		Water-cooled
Engine oil change amount (L)		3.5
Fuel form		DIESEL
Fuel grade		0/-10
Theoretical fuel consumption (L/h)		1.1-1.5
Body		Transport length (mm)
	Transport width (mm)	750
	Transport height (mm)	2289
	Counterweight ground clearance (mm)	402
	Bucket width (mm)	400
	Boom length (mm)	1450
	Arm length (mm)	880
Bulldozer blade width (mm)	750-990	

■ HYDRAULIC SYSTEM

Main pump type/model	Gear pump/305
Main pump brand	Tianjin walking
Main pump maximum flow (L/min)	25
Multi-way valve	THD12 multi-way valve
Multi-way valve brand	Taifeng
Rated set pressure (Mpa)	18MPa

Maximum set pressure (Mpa)	20MPa
Travel hydraulic motor type	WDM-390 dual-speed travel motor
Travel motor brand	Paiyi
Motor displacement	390
Slewing hydraulic motor type	BM2-315
Displacement	315

- GESTION HJPlease read the instruction manual carefully and use the machine correctly.
- Always wear a seat belt when working. (ROPS specifications only)
- If you are operating construction machinery with a machine mass of less than 3 tons, you must take the "Special Training for Vehicle-Mounted Construction Machinery Operation" course beforehand. If the machine mass is 3 tons or more, you must take the "Vehicle-Mounted Construction Machinery Operation Skills Course".
- To prevent breakdowns and accidents, be sure to inspect the machinery regularly.
- Specific voluntary inspections are required to be carried out by an inspection company registered with the Minister of Health, Labor and Welfare or the Director-General of the Labor Standards Inspection Bureau.

WE ARE RIPPA

Shandong Rippa Machinery Group Co., Ltd. is located in the Sixth Industrial Park, Jining high tech Zone, Shandong Province. It is a state-level high-tech enterprise with the right to import and export;

The company's staff are vigorous and enterprising, and constantly create the legend and glory of the school!



Shandong Rippa Machinery Group Co., Ltd.

Add: No.6 Industrial Park, Chongwen Avenue 2166, Gaoxin District, Jining City, Shandong Province

Some specifications are based on engineering measurements and may deviate from actual conditions. Specifications are for comparison purposes only and are subject to change without notice. Specifications of individual RIPPA equipment will vary based on normal variations in design, manufacturing, operating conditions and other factors. Some pictures of RIPPA equipment are not limited to standard packages.



<https://www.rippa.com>