



RIPPA GROUP

R15 ECO



Note: The hydraulic thumb clamp in the picture is an optional model, and the standard model does not have a hydraulic thumb clamp

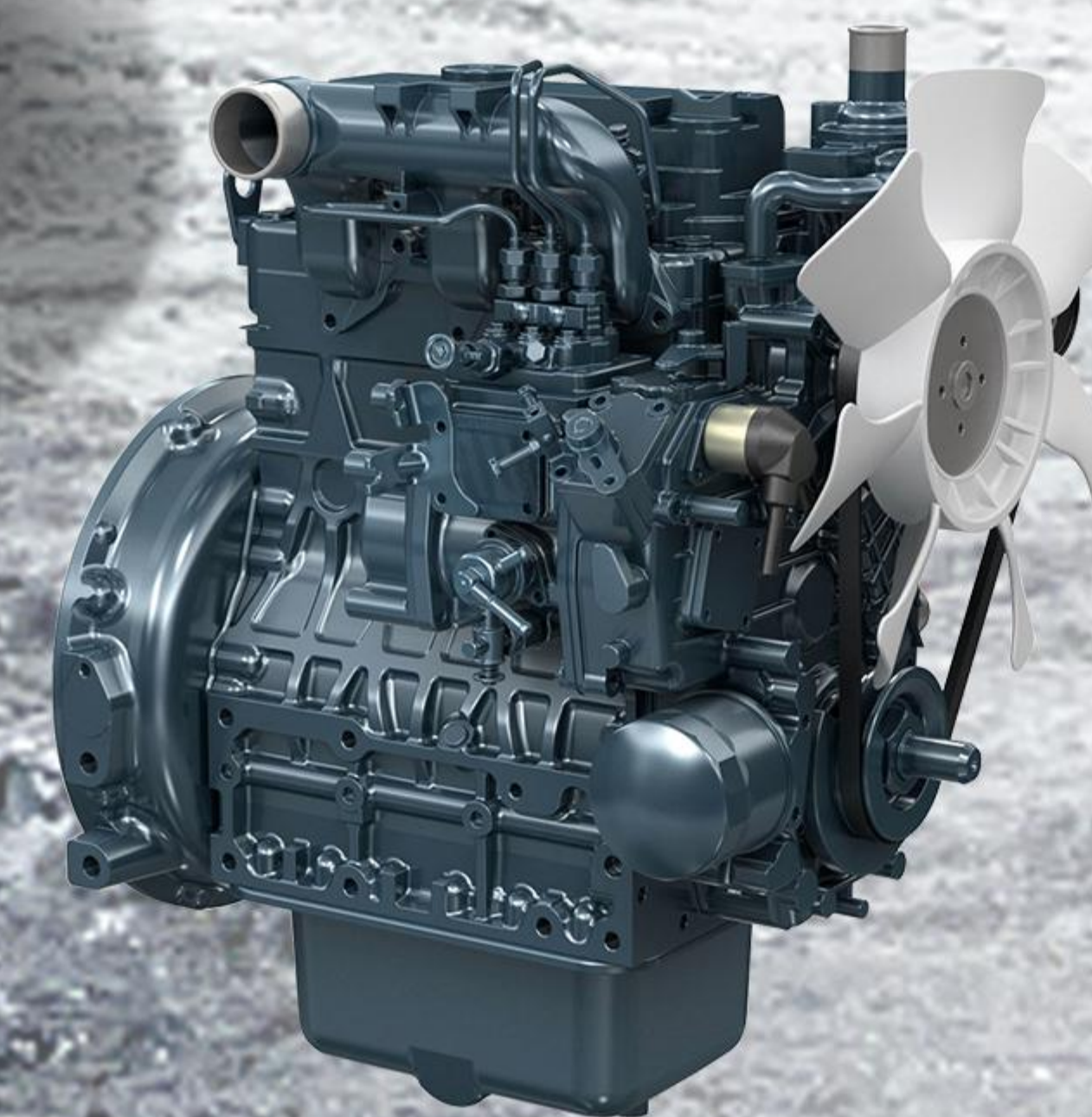
Ultra compact dimensions superb operator protection minimal tail swing everything you need to get the job done

There's a lot to like about RIPPAs new ultra-compact excavators. They're so compact you can easily work safely in tight spots. They also have an improved control layout*, and upgraded comfort features to keep you working efficiently and comfortably. Best of all, you can depend on these RIPPA ultra-compact excavators to get the job done with speed and efficiency.



SIDE LEVER LAYOUT

The control levers of the R15 ECO are positioned to the sides of the seat for a better, more relaxed operator working posture and excellent forward visibility.



RIPPA ULTRA-COMPACT EXCAVATORS



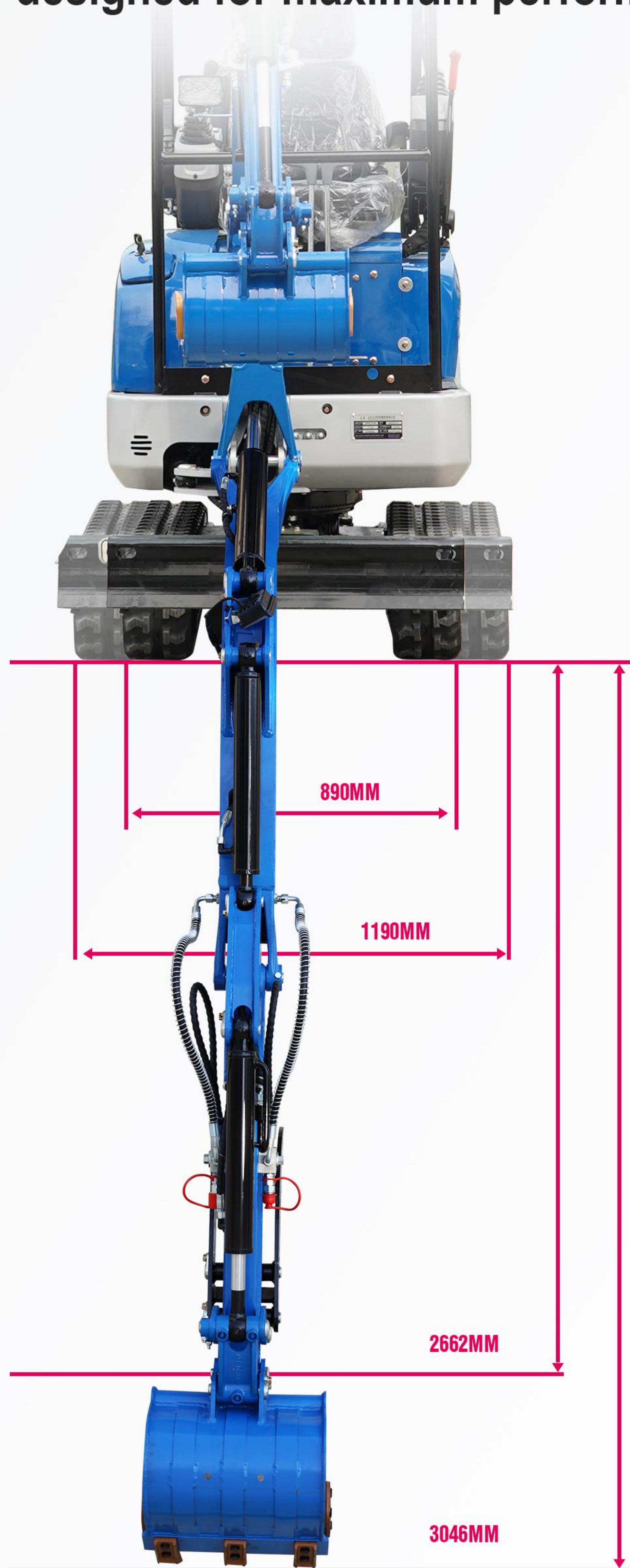
Engine gross horsepower (D722): 13.97 HP (10.2kW)

Maximum digging force : 10.4 KN

Operating weight**: 1500 kg

PERFORMANCE / SAFETY

From an adjustable track gauge and two-speed travel pedal to Engine Safety Start and a new boom-mounted LED work light, this ultra-compact excavator is designed for maximum performance and safety.



1 Adjustable Track Gauge

With easy, single-lever operation, the R15 ECO hydraulically adjustable track gauge reduces in seconds—down to 890mm—to enable navigation in narrow spaces. Conversely, you can widen the track gauge all the way out to 1190mm. With the simple removal of one pin, its quick-fold blade adjusts in size instantly. When adjusted down, these ultra-compact excavators can easily fit through most doorways, permitting access inside of buildings.



2 Digging Range

The rippa ultra-compact excavators excel at digging, with surprisingly wide working and digging ranges for such compact excavators.



3 Boom Cylinder Protection Design

Notice the clean, hose-free look of the r15 eco boom. That is because all of their hydraulic hoses are uniquely hidden and protected inside the boom. In addition, the boom cylinder is well protected due to its location at the top of the boom.



4 New cast drive wheel

The new casting drive wheel, the hemispherical structure disperses the stress concentration, and has a longer service life.



5 Removable cab roof

The removable cab roof and removable protective structure are standard. With the cab removed, you can easily transport the ultra-compact excavator on a truck and enter the interior under the doorway to work.



6 Dual-Purpose Travel Lever

This lever allows you to use your hands and feet at the same time, so you can work at your own pace. Simply step on the pedal or push with your hands to move, turn, etc.



7 Safety lock

The unload lever enhances work safety by preventing unintended operation of the front attachment, dozer, AUX, swiveling, or traveling when the machine is in locked position.

8 New LED Boom Work Light

Bright LED boom work light provides plenty of illumination for nighttime tasks.





1 Dash board

The right armrest box is equipped with a vehicle instrument—an integrated multi-function instrument, which can display various parameters such as speed, oil volume, oil pressure, voltage, and water temperature alarm. It is convenient to observe the status of the whole vehicle, and can maintain and manage the condition of the whole vehicle in time.



4 PILOT OPERATION ON BOTH SIDES

The two-side pilot operation provides the excavator with higher operating precision and efficiency, while improving the operator's comfort and safety, allowing the excavator to perform well in various working conditions.

2 COMFORTABLE SEATS

Adjustable seat, ergonomically designed to support the operator's back, waist and neck, reducing fatigue caused by long-term operation

3 CAST BOOM BRACKET

The cast boom bracket is adopted, the structure is smooth and thick, and it is integrally formed with beautiful appearance and durability.



5 OPENABLE PEDAL

The pedal can be opened. Below the pedal is a pilot multi-way valve. The multi-way valve oil pipeline is arranged in a standard way, which is convenient for maintenance.



The feature of R15 ECO

SERVICE

The rear opening hood provides easy access to the engine, and maintenance is simple with the hydraulic service port plumbing conveniently located and protected.

Engine Cover

The rear-opening operator seat on the hood can be flipped up to reveal a large portion of the engine, allowing easier access to components.



Two-piece Hose Design

When an on-site replacement of a dozer cylinder supply hose is necessary, its two-piece design simplifies the job.

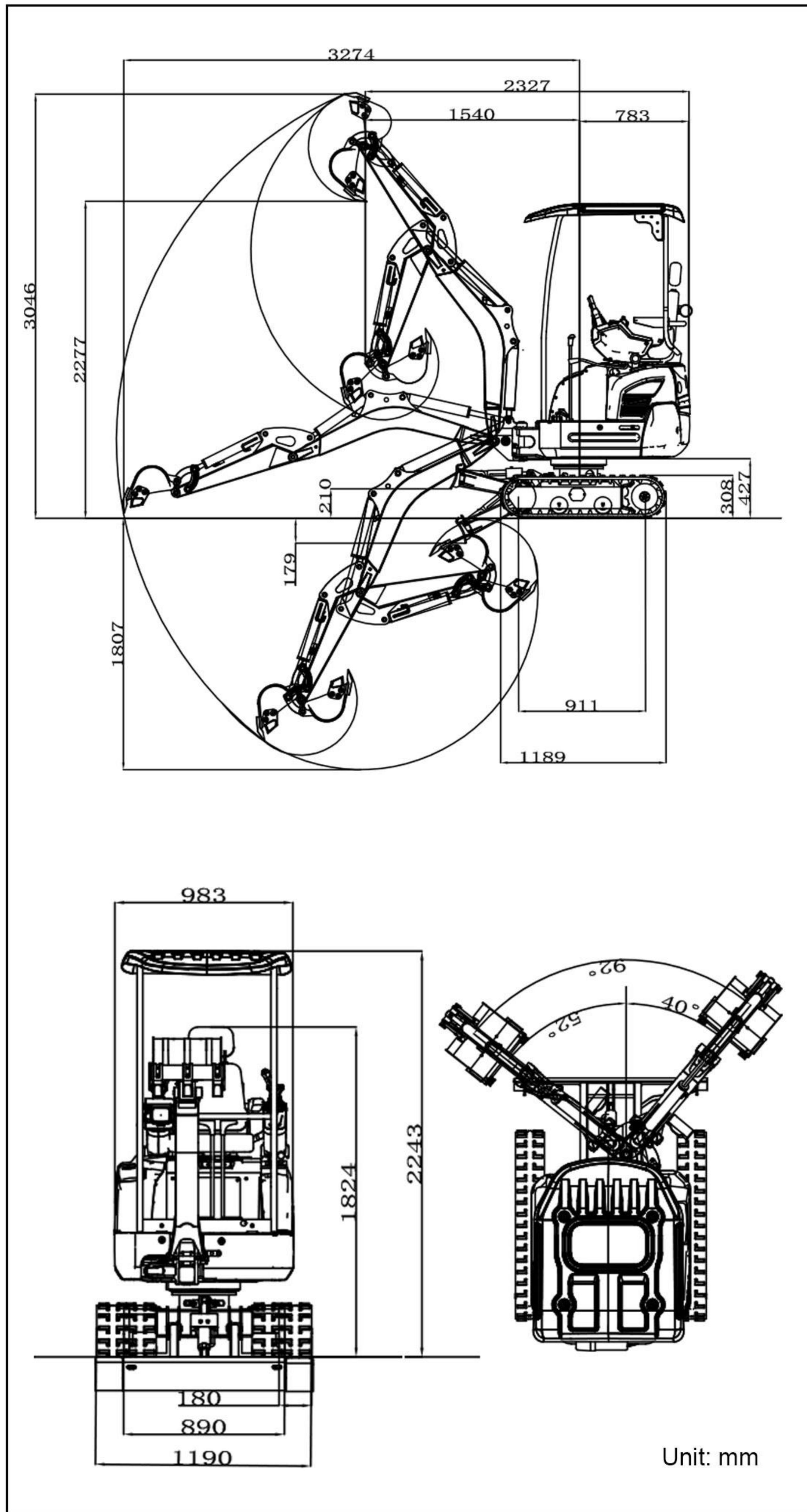


Protected Hydraulic Service Port Pipes

With the R5 ECO, you'll never need to replace the hydraulic service port pipes again. To reduce the risk of damaging the hydraulic piping, the service port pipes are hidden inside the boom, and its service ports are conveniently located at the end of the boom.



■ SCOPE OF WORK



■ SPECIFICATION

	Model	R15 ECO
Basic parameters	Machine working weight (kg)	1500
	Bucket capacity (m³)	0.018
	Travel speed low/high speed (Km/h)	0-1.5
	Gradeability (%)	30%
	Ground pressure (Kpa)	31.4
	Maximum digging force (kN)	10.4
	Maximum digging radius (mm)	3274
	Maximum digging depth (mm)	1807
	Maximum digging height (mm)	3046
	Maximum unloading height (mm)	2277
	Maximum deflection angle (°)	92
	Track extension range (mm)	890-1190
	Engine	Engine brand
Engine model		D722
Maximum horsepower (ps)		13.97
Maximum power (Kw)		10.2
Maximum speed (rpm)		2500
Displacement (L)		0.719
Number of cylinders		3
Cooling method		Water-cooled
Engine oil change amount (L)		3.5
Fuel form		DIESEL
Fuel grade		0/-10
Theoretical fuel consumption (L/h)		1.1-1.5
Body		Transport length (mm)
	Transport width (mm)	983
	Transport height (mm)	2243
	Counterweight ground clearance (mm)	427
	Bucket width (mm)	400
	Boom length (mm)	1477
	Arm length (mm)	800
	Bulldozer blade width (mm)	1024

■ HYDRAULIC SYSTEM

Main pump type/model	Gear pump/308-303
Main pump brand	Tianjin Walking/Shengjie
Main pump maximum flow (L/min)	21.6L/min
Multi-way valve	9-way pilot multi-way valve
Multi-way valve brand	Tengfei/Shengjie
Rated set pressure (Mpa)	18MPa

Maximum set pressure (Mpa)	20MPa
Travel hydraulic motor type	BM6-315
Travel motor brand	Paiyi/Zhenjiang Dali
Motor displacement	315
Slewing hydraulic motor type	BM2-315
Displacement	315

- GESTION HJPlease read the instruction manual carefully and use the machine correctly.
- Always wear a seat belt when working. (ROPS specifications only)
- If you are operating construction machinery with a machine mass of less than 3 tons, you must take the "Special Training for Vehicle-Mounted Construction Machinery Operation" course beforehand. If the machine mass is 3 tons or more, you must take the "Vehicle-Mounted Construction Machinery Operation Skills Course".
- To prevent breakdowns and accidents, be sure to inspect the machinery regularly.
- Specific voluntary inspections are required to be carried out by an inspection company registered with the Minister of Health, Labor and Welfare or the Director-General of the Labor Standards Inspection Bureau.