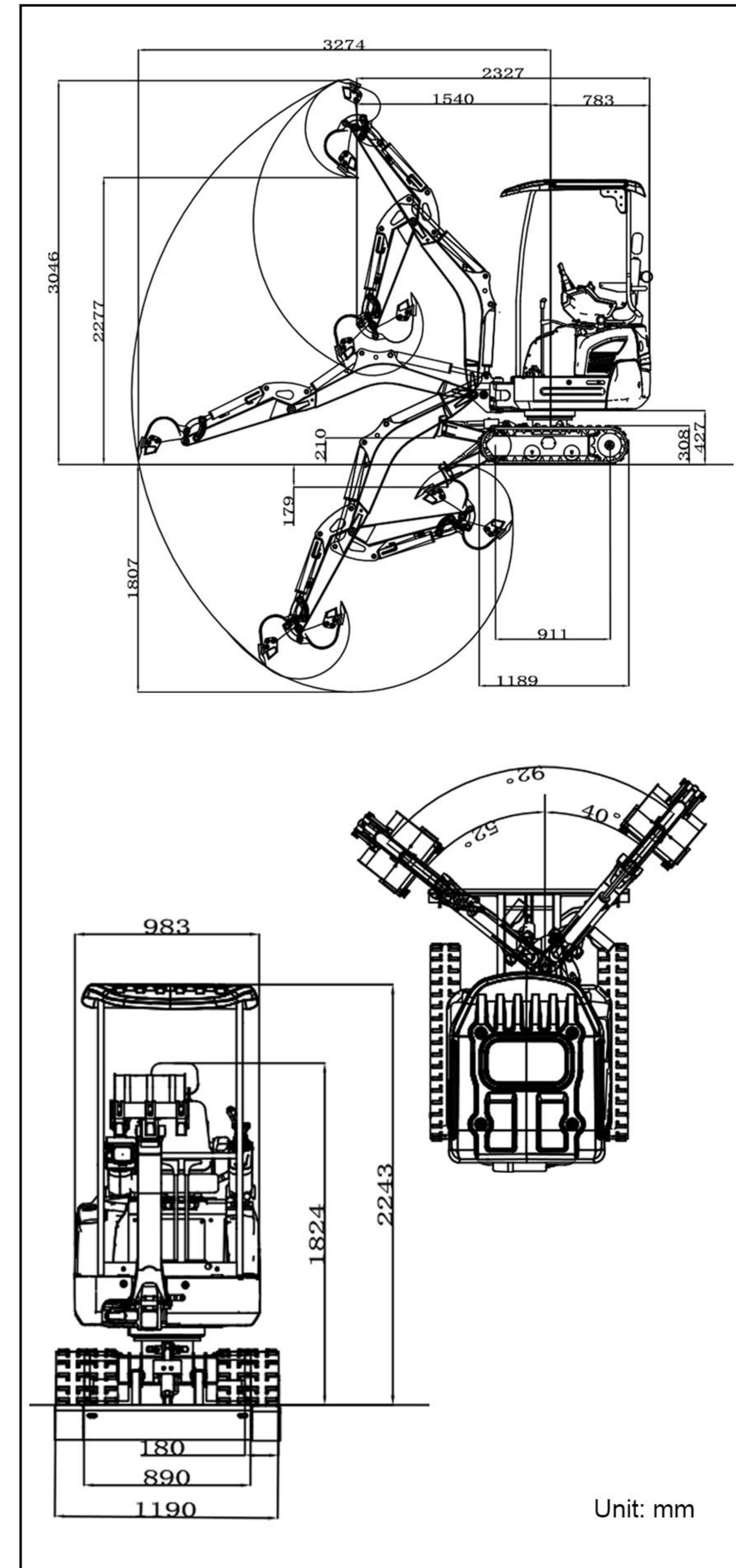


## ■ SCOPE OF WORK



## ■ SPECIFICATION

	Model	Unit	R15 ECO
Basic parameters	Machine working weight	lb(kg)	3307(1500)
	Bucket capacity	ft³(m³)	0.64(0.018)
	Travel speed low/high speed	mph(Km/h)	0-0.93(0-1.5)
	Gradeability	(%)	30
	Ground pressure	(Kpa)	31.4
	Maximum digging force	(kN)	10.4
	Maximum digging radius	in(mm)	128.9(3274)
	Maximum digging depth	in(mm)	71.1(1807)
	Maximum digging height	in(mm)	119.9(3046)
	Maximum unloading height	in(mm)	89.6(2277)
	Maximum deflection angle	°	92
	Track extension range	in(mm)	35-46.9(890-1190)
Engine	Engine brand		Kubota
	Engine model		D722
	Maximum horsepower	hp	13.7
	Maximum power	kw	10.2
	Maximum speed	rpm	2500
	Displacement	gal(L)	0.19(0.719)
	Number of cylinders		3
	Cooling method		Water-cooled
	Engine oil change amount	gal(L)	0.92(3.5)
	Fuel form		DIESEL
	Fuel grade		0/-10
	Theoretical fuel consumption	gal/h(L/h)	0.3-0.4(1.1-1.5)
Body	Transport length	in(mm)	91.6(2327)
	Transport width	in(mm)	38.7(983)
	Transport height	in(mm)	88.3(2243)
	Counterweight ground clearance	in(mm)	16.7(427)
	Bucket width	in(mm)	15.7(400)
	Boom length	in(mm)	58.1(1477)
	Arm length	in(mm)	31.5(800)
	Bulldozer blade width	in(mm)	40.3(1024)

## ■ HYDRAULIC SYSTEM

Main pump type/model	Gear pump/308-303	Maximum set pressure (Mpa)	20MPa
Main pump brand	Tianjin Walking/Shengjie	Travel hydraulic motor type	BM6-315
Main pump maximum flow (L/min)	21.6L/min	Travel motor brand	Paiyi/Zhenjiang Dali
Multi-way valve	9-way pilot multi-way valve	Motor displacement	315
Multi-way valve brand	Tengfei/Shengjie	Slewing hydraulic motor type	BM2-315
Rated set pressure (Mpa)	18MPa	Displacement	315

- Please read the instruction manual carefully and use the machine correctly.
- Always wear a seat belt when working. (ROPS specifications only)
- If you are operating construction machinery with a machine mass of less than 3 tons, you must take the "Special Training for Vehicle-Mounted Construction Machinery Operation" course beforehand. If the machine mass is 3 tons or more, you must take the "Vehicle-Mounted Construction Machinery Operation Skills Course".
- To prevent breakdowns and accidents, be sure to inspect the machinery regularly.
- Specific voluntary inspections are required to be carried out by an inspection company registered with the Minister of Health, Labor and Welfare or the Director-General of the Labor Standards Inspection Bureau.



RIPPA GROUP

# R15 ECO



Note: The hydraulic thumb clamp and hydraulic quick change in the figure are optional models. The standard model does not have hydraulic thumb clamp and hydraulic quick change

# Ultra compact dimensions superb operator protection minimal tail swing everything you need to get the job done

Theres a lot to like about RIPPAs new ultra-compact excavators. Theyre so compact you can easily work safely in tight spots. They also have an improved control layout\*, and upgraded comfort features to keep you working efficiently and comfortably. Best of all, you can depend on these RIPPA ultra-compact excavators to get the job done with speed and efficiency.



### SIDE LEVER LAYOUT

The control levers of R15 ECO are located on both sides of the seat to provide the operator with a better and more relaxed working posture and an added protective net to effectively protect the driver's safety.



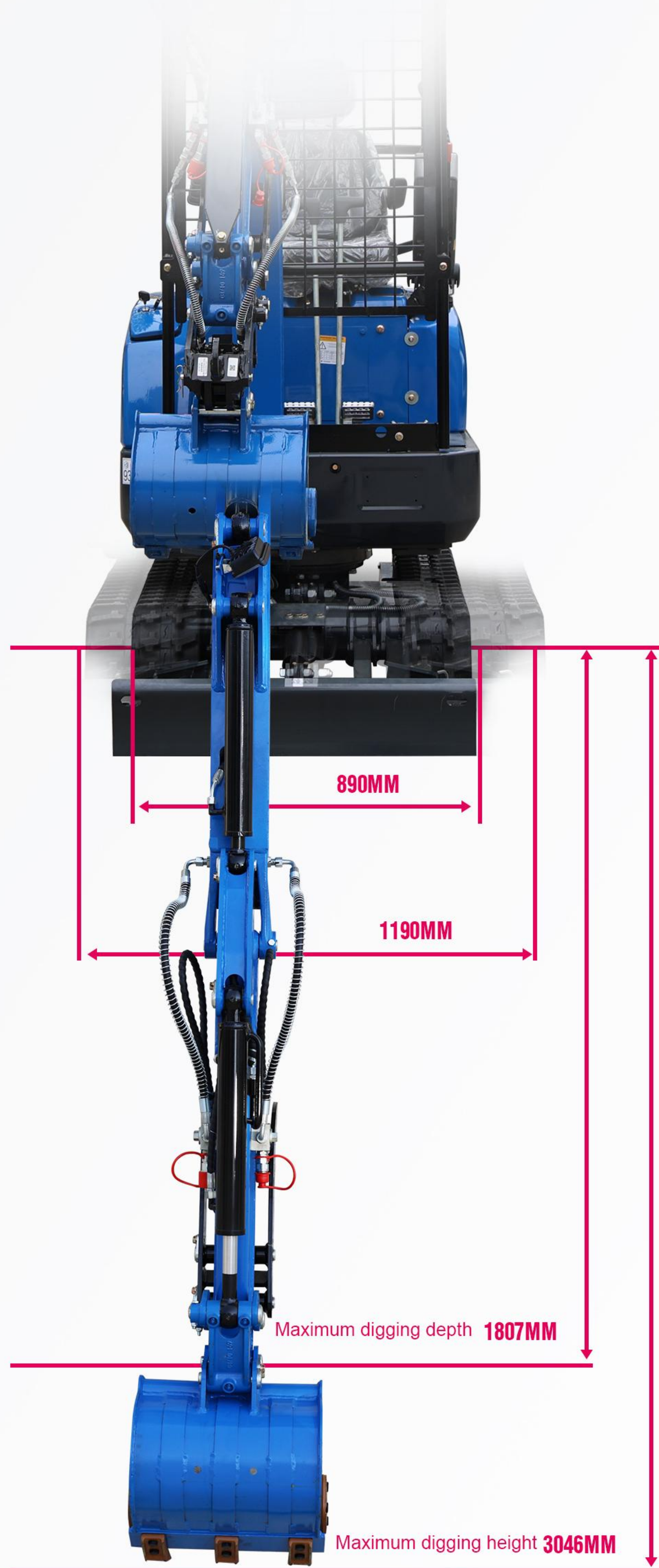
### RIPPA ULTRA-COMPACT EXCAVATORS



Engine gross horsepower (D722): 13.97 ps (10.2kW)  
Maximum digging force : 10.4 KN  
Operating weight\*\*:1500 kg

# PERFORMANCE / SAFETY

From an adjustable track gauge and two-speed travel pedal to Engine Safety Start and a new boom-mounted LED work light, this ultra-compact excavator is designed for maximum performance and safety.



## 1 Adjustable Track Gauge

With easy, single-lever operation, the R15 ECO hydraulically adjustable track gauge reduces in seconds—down to 890mm—to enable navigation in narrow spaces. Conversely, you can widen the track gauge all the way out to 1190mm. With the simple removal of one pin, its quick-fold blade adjusts in size instantly. When adjusted down, these ultra-compact excavators can easily fit through most doorways, permitting access inside of buildings.



## 2 Oil pipe wire protection

To enhance reliability and extend service life, RIPPA excavators are now equipped with steel spring guards on the undercarriage hydraulic hoses. This upgrade ensures optimal protection against wear and tear caused by friction, sharp objects, and rough terrain.



## 3 Boom Cylinder Protection Design

The boom has a clean, hose-free look. All hydraulic hoses are uniquely hidden and protected inside the boom. In addition, the boom cylinders are located on top of the boom and are well protected with cylinder guards.



## 4 Built-in motor

It reduces noise and effectively protects the motor from collision, thus enhancing the durability and reliability of the excavator.



## 6 Dual-Purpose Travel Lever

This bar lets you use your hands and feet at the same time, so you can work at your own pace. Simply press the pedals or push with your hands to move, turn, etc. The foot pedals can also be stepped forward and backward to walk.



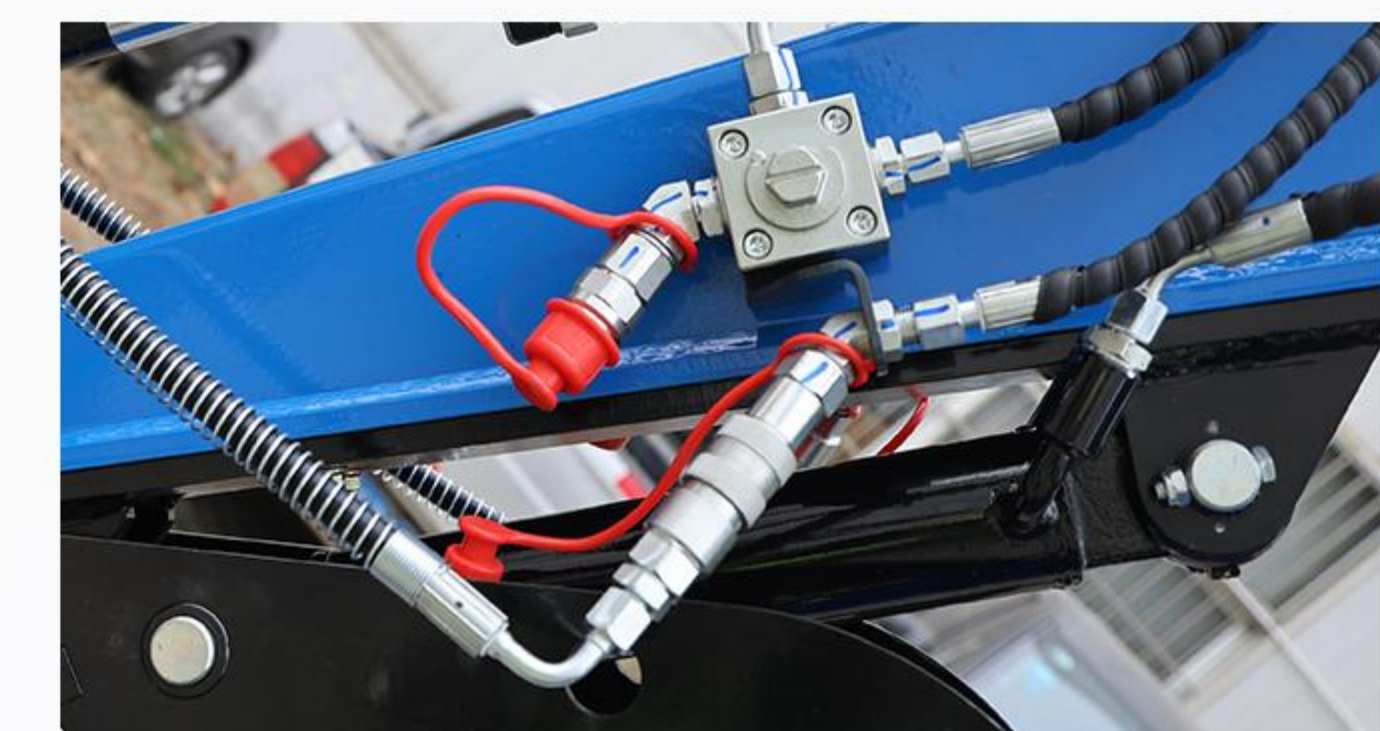
## 7 LED work light

Bright LED work lights provide optimal illumination for nighttime work.



## 8 Four-way broken oil pipe with quick connector

Four-way crushing oil pipe, so that the hydraulic thumb clamp (optional), hydraulic quick change (optional) and accessories have separate oil circuits and are equipped with quick connectors to improve connection efficiency and operation convenience.



## 5 Roof upgrade

- a** Add a protective net: This helps improve the safety of the roof and prevent falling objects or other accidental injuries.
- b** Install a reflector: It helps to expand the field of vision, avoid blind spots, and further improve safety.
- c** Replace with a plastic roof: It has a more beautiful appearance and stronger waterproofing.
- d** Add a warning light: In low-light environments, it can improve the visibility of the roof and avoid accidents.





The feature of R15 ECO

# SERVICE

The rear opening hood provides easy access to the engine, and maintenance is simple with the hydraulic service port plumbing conveniently located and protected.

## Engine Cover

The rear-opening operator seat on the hood can be flipped up to reveal a large portion of the engine, allowing easier access to components.



## Openable footrest cover

The cover at the footrest is designed to be openable, which facilitates inspection of the oil circuit and lines, significantly improving the convenience of maintenance and inspection.



## 1 Dash board

The right armrest box is equipped with a vehicle instrument—an integrated multi-function instrument, which can display various parameters such as speed, oil volume, oil pressure, voltage, and water temperature alarm. It is convenient to observe the status of the whole vehicle, and can maintain and manage the condition of the whole vehicle in time.



## 2 COMFORTABLE SEATS

Adjustable seat, ergonomically designed to support the operator's back, waist and neck, reducing fatigue caused by long-term operation

## 3 HIGH AND LOW SPEED WALKING

The walking speed can be flexibly adjusted according to different working conditions to cope with various working environments



## 5 COMFORTABLE ARMRESTS

To improve the comfort of operation, arm supports are installed on both sides of the work box to improve operability and reduce fatigue caused by long-term operation.



## Protected Hydraulic Service Port Pipes

With the R15 ECO, you'll never need to replace the hydraulic service port pipes again. To reduce the risk of damaging the hydraulic piping, the service port pipes are hidden inside the boom, and its service ports are conveniently located at the end of the boom.



## 4 PILOT OPERATION ON BOTH SIDES

The two-side pilot operation provides the excavator with higher operating precision and efficiency, while improving the operator's comfort and safety, allowing the excavator to perform well in various working conditions.

# WE ARE RIPPA

Shandong Rippa Machinery Group Co., Ltd. is located in the Sixth Industrial Park, Jining high tech Zone, Shandong Province. It is a state-level high-tech enterprise with the right to import and export;

The company's staff are vigorous and enterprising, and constantly create the legend and glory of the school!



**Shandong Rippa Machinery Group Co., Ltd.**

Add: No.6 Industrial Park, Chongwen Avenue 2166, Gaoxin District, Jining City, Shandong Province

Some specifications are based on engineering measurements and may deviate from actual conditions. Specifications are for comparison purposes only and are subject to change without notice. Specifications of individual RIPPA equipment will vary based on normal variations in design, manufacturing, operating conditions and other factors. Some pictures of RIPPA equipment are not limited to standard packages.



<https://rippa.com>