



RIPPA®

RIPPA GROUP

R22PRO



Further improve work efficiency

The R22 PRO, which prides itself on its excellent finish and overwhelming trust, has unveiled its long-awaited crane specifications. While improving work efficiency, it also has environmentally friendly properties such as low fuel efficiency, low vibration, and low noise. The pursuit of driver-centered safety and the use of advanced digital instruments for operability all add to the mature flavor.



NEW MODEL DEBUTS

R22PRO



Comply with European exhaust gas fifth emission standard

Comply with U.S. EPA exhaust emission standards

The machine is equipped with an environmentally friendly engine. It meets Euro V and EPA emission standards, is fuel-efficient, low-noise, and can achieve high power output. Durability, safety and comfort are comprehensively upgraded. Compact design delivers powerful performance. The excellent performance brought by the abundant torque greatly contributes to the improvement of workability.



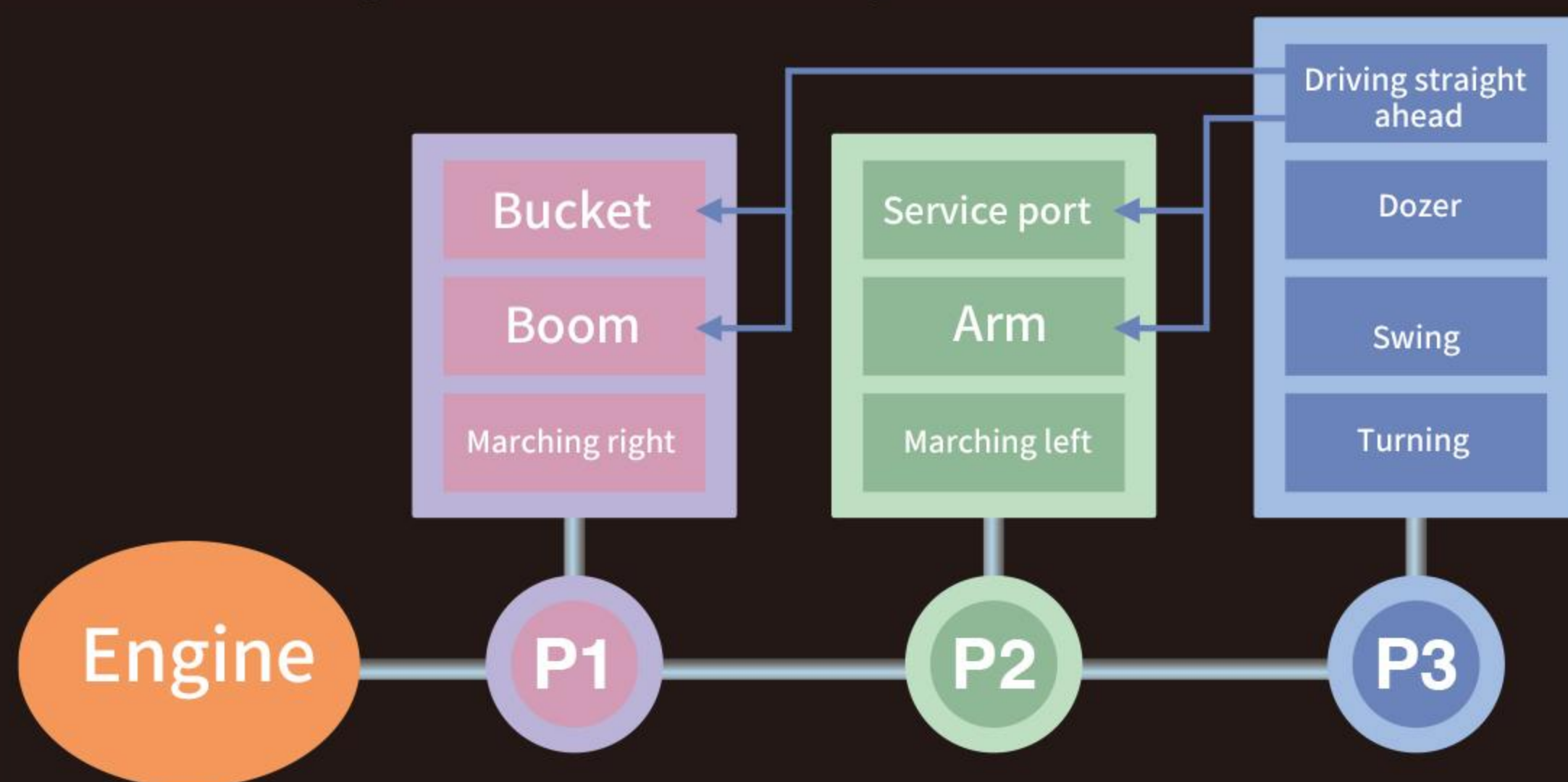
PERFORMANCE

Outstanding power and smooth operation for superior operability

Powerful digging force and 4-way operation

NEW-H · M · S hydraulic system

Adopts a 3-pump system that uses independent pumps for the boom, arm, and swing, and is equipped with a control valve with a wide control range and a variable displacement pump. With smooth, quick, and powerful work, we can meet even the toughest demands at a high level.



● Powerful drilling performance

Concentrates hydraulic power to the front and delivers powerful digging power.

● Equipped with a straight running circuit

Even if you operate the front while driving, there is no meandering or speed change, and stable straight-line driving is achieved.

● 4 consecutive operations possible

The optimal matching of the 3 pump system and hydraulic system allows simultaneous operation of the bucket, boom, arm, and rotation.

● Easy to load and unload on truck



● Options for crane specifications

Bucket cylinder cover

Arm cylinder cover



Variable leg specifications (optional)

Convenient R22 PRO

Vehicle width when reduced: 1300mm

Variable leg specifications in consideration of situations where the approach road is narrow. It exhibits high stability by being compact at 1,300mm when traveling and transporting, and of course expanding to 1,500mm when working.

Approaching the 3t class

Suitable for 2.5 liters R22 PRO

● Although it is a 2.5t class machine, it exhibits excavation performance and stability approaching that of a 3t class machine. Contributes to increased efficiency with work capacity that exceeds that of its class.

● Achieves speedy front movement by constantly optimizing hydraulic pressure distribution. Combination work can be done extremely smoothly.

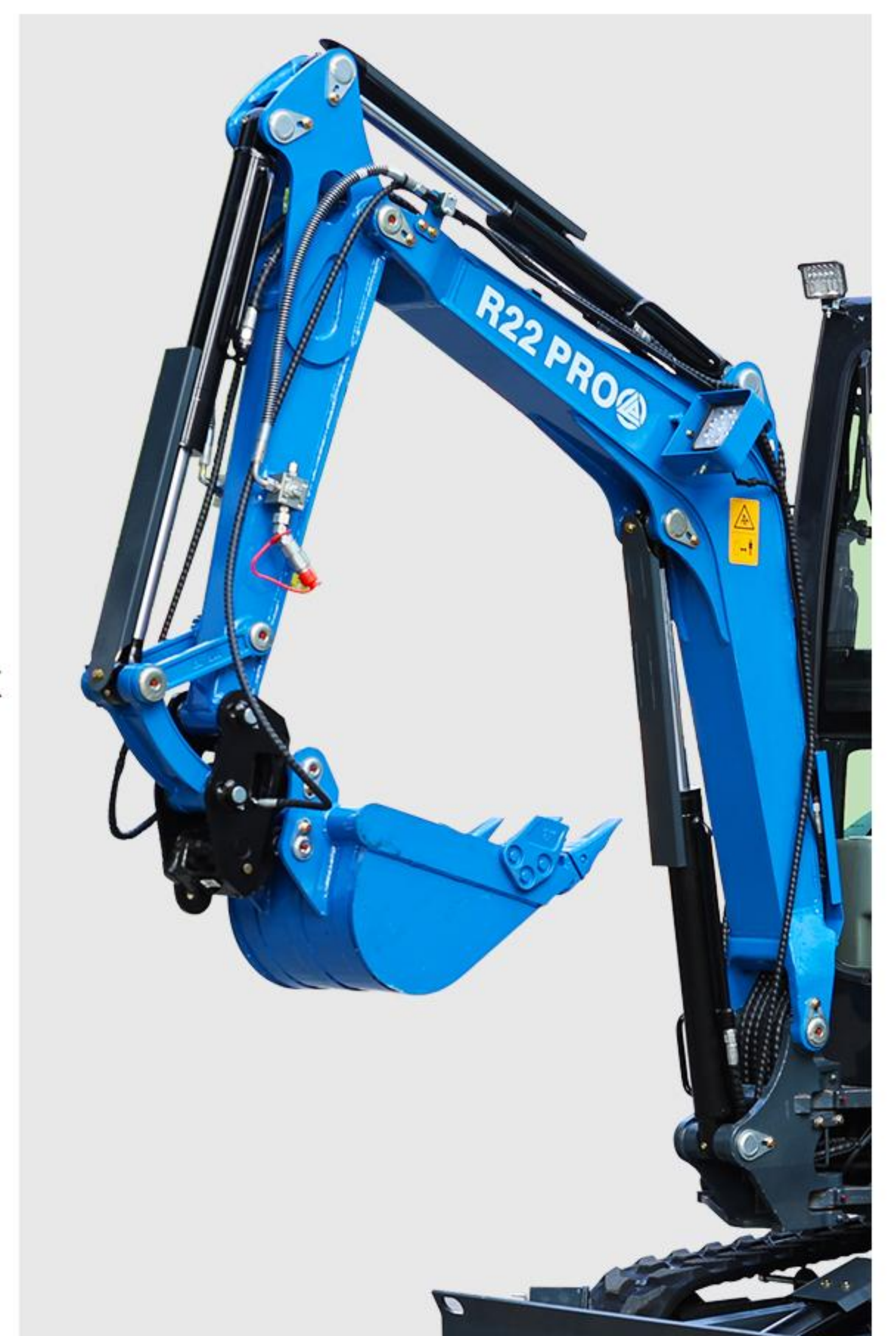
● Designed in pursuit of excellent stability, it is effective when attaching attachments or on sites that involve lifting work.

● The service port has ample oil flow capacity, making it compatible with attachments such as breakers. It responds to harsh use with stable operation. (Service port specification option)



Compact when traveling and transporting
Reduced to 1,300mm

Improved stability during excavation work
Expanded to 1,500mm



*The photos shown are for the catalog with options installed. Ground the work equipment when leaving the site.

WHILE IMPROVING HOMEWORK EFFICIENCY, ACHIEVE LIVABILITY AND SAFETY.

TWO PILLARS / OPG • FOUR PILLARS / OPG

CANOPY CAB + SEAT BELT

For TOPS/ROPS/OPG that pursue operator safety, please use the Canopi Cabs (with seat belts) corresponding to Do Level I to further pursue safety. Implement a safety structure to protect the operator in case of a fall. The design of the boarding and alighting space is spacious, and getting on and off is also very easy. At the same time, sudden falling objects on site are also protected.

● CAB STANDARD EQUIPMENT

Front tempered glass / front window open / ashtray / heater

※ Tops: protect over protective structures

The structure to protect the driver with the seat belt mounted in the roll. fitted to the test conditions of the mini shovel overturn protection structure.

※ OPG (top guard): Structure to protect drivers from falling objects. is suitable for test conditions of top guard level.

※ ROPS: roll over protective structures

Structure to protect the driver with seat belt when falling. earthenware machine - suitable for test conditions of overturning protection structures.



One touch easy operation

Smart big screen

The intelligent large screen displays the machine operating parameters. The error codes and warning lights on the screen immediately notify the operator of overheating, hydraulic system abnormalities and charging system abnormalities.

The simple design, convenient access and easy-to-read indicators enable the operator to always grasp the status of the machine.



COMFORTABLE CAB



FULL OPEN BONNET

The rear and right side bonnets can be opened wide without tools, allowing quick daily inspection and maintenance of the engine and fuel system. In addition, the inspection and maintenance points for the hydraulic system are centrally located on the right side of the aircraft, dramatically improving work efficiency.

OPENABLE WINDSHIELD

The openable design allows the operator to open the windshield when needed to enhance air circulation in the cab, which is particularly suitable for high-temperature working environments and improves the operator's comfort.



LOOSE FEELING!

COMFORTABLE OPERATION

Ensure spacious foot space and support leisurely and smooth operation. The same operating feeling as a mainframe, achieving stress free operation.

Comfortable work space



Herringbone track

Engineering rubber tracks can be matched with high-quality wear-resistant steel tracks for smooth walking



Air conditioner

The cab specification is equipped with an air conditioner as standard, providing a comfortable working environment at all times, even during the mid-summer and extreme cold seasons. hydraulic and fuel.



MAINTENANCE

Smart maintenance and reliable durability.

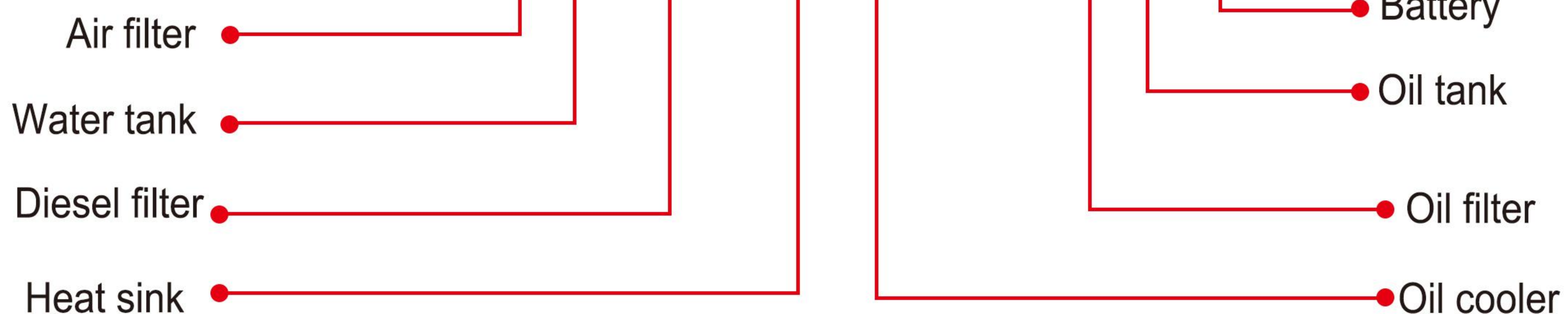
Simply switch on and off

Double opening engine hood

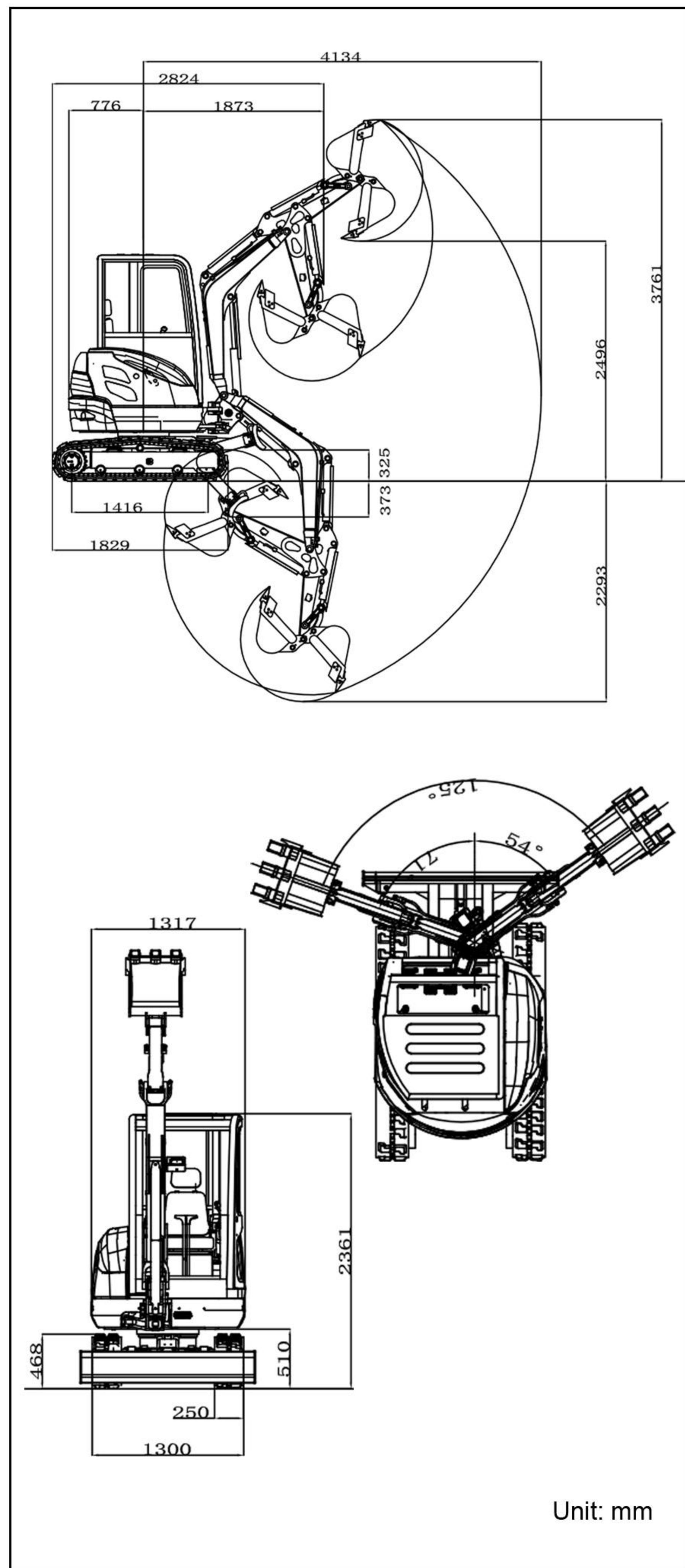
Due to the lack of tools to significantly open the rear and right upper covers, daily inspections and maintenance around the engine and fuel system are simply possible. During the formal overhaul, the disassembly of the rear and right engine covers can be carried out quickly and accurately within just a few minutes, and the internal inspection and overhaul can be carried out quickly and accurately.

Sturdy front

The front end, root, swing pivot, and travel motor support of the boom subjected to heavy loads during homework are reinforced with cast steel materials to enhance strength. In addition, the front fulcrum is reinforced by a large diameter front fulcrum pin.



■ SCOPE OF WORK



■ SPECIFICATION

	Model		R22PRO
Basic parameters	Machine working weight	lb(kg)	5228(2371.5)
	Bucket capacity	ft ³ (m ³)	1.9(0.054)
	Travel speed low/high speed	mph(Km/h)	0-0.93/01.74(0-1.5/0-2.8)
	Gradeability	%	30
	Ground pressure	Kpa	33.4
	Maximum digging force	kN	18.4
	Maximum digging radius	in(mm)	163.1(4143)
	Maximum digging depth	in(mm)	90.3(2293)
	Maximum digging height	in(mm)	148.1(3761)
	Maximum unloading height	in(mm)	98.3(2496)
	Maximum deflection angle	°	125
	Track extension range	in(mm)	51.2-59.1(1300-1500)
Engine	Engine brand		Kubota
	Engine model		D1105
	Maximum horsepower	hp(ps)	54.4(24.75)
	Maximum power	Kw	18.2
	Maximum speed	rpm	3000
	Displacement	gal(L)	0.3(1.123)
	Number of cylinders		3
	Cooling method		Water-cooled
	Engine oil change amount	gal(L)	1.1(4.2)
	Fuel form		DIESEL
	Fuel grade		0/-10
	Theoretical fuel consumption	gal/h(L/h)	1.3-1.5
Body	Transport length	in(mm)	2824
	Transport width	in(mm)	1300
	Transport height	in(mm)	2361
	Counterweight ground clearance	in(mm)	510
	Bucket width (mm)	in(mm)	450
	Boom length (mm)	in(mm)	1830
	Arm length (mm)	in(mm)	1250
	Bulldozer blade width (mm)	in(mm)	1300

■ HYDRAULIC SYSTEM

Main pump type/model	Load sensitive variable piston pump/28	Maximum set pressure (Mpa)	20MPa
Main pump brand	Taifeng	Travel hydraulic motor type	LTM03CDK
Main pump maximum flow (L/min)	67.2	Travel motor brand	Likechuan
Multi-way valve	9-way hydraulic multi-way valve	Motor displacement	11-20
Multi-way valve brand	Taifeng	Slewing hydraulic motor type	Likechuan
Rated set pressure (Mpa)	18MPa	Displacement	15.1

- Please read the instruction manual carefully and use the machine correctly.
- Always wear a seat belt when working. (ROPS specifications only)
- If you are operating construction machinery with a machine mass of less than 3 tons, you must take the "Special Training for Vehicle-Mounted Construction Machinery Operation" course beforehand. If the machine mass is 3 tons or more, you must take the "Vehicle-Mounted Construction Machinery Operation Skills Course".
- To prevent breakdowns and accidents, be sure to inspect the machinery regularly.
- Specific voluntary inspections are required to be carried out by an inspection company registered with the Minister of Health, Labor and Welfare or the Director-General of the Labor Standards Inspection Bureau.

WE ARE RIPPA

Shandong Rippa Machinery Group Co., Ltd. is located in the Sixth Industrial Park, Jining high tech Zone, Shandong Province. It is a state-level high-tech enterprise with the right to import and export;

The company's employees are vigorous and enterprising, constantly creating the legend and glory of Rippa!



Shandong Rippa Machinery Group Co., Ltd.

Add: No.6 Industrial Park, Chongwen Avenue 2166, Gaoxin District, Jining City, Shandong Province

Some specifications are based on engineering measurements and may deviate from actual conditions. Specifications are for comparison purposes only and are subject to change without notice. Specifications of individual RIPPA equipment will vary based on normal variations in design, manufacturing, operating conditions and other factors. Some pictures of RIPPA equipment are not limited to standard packages.



<https://rippa.com>