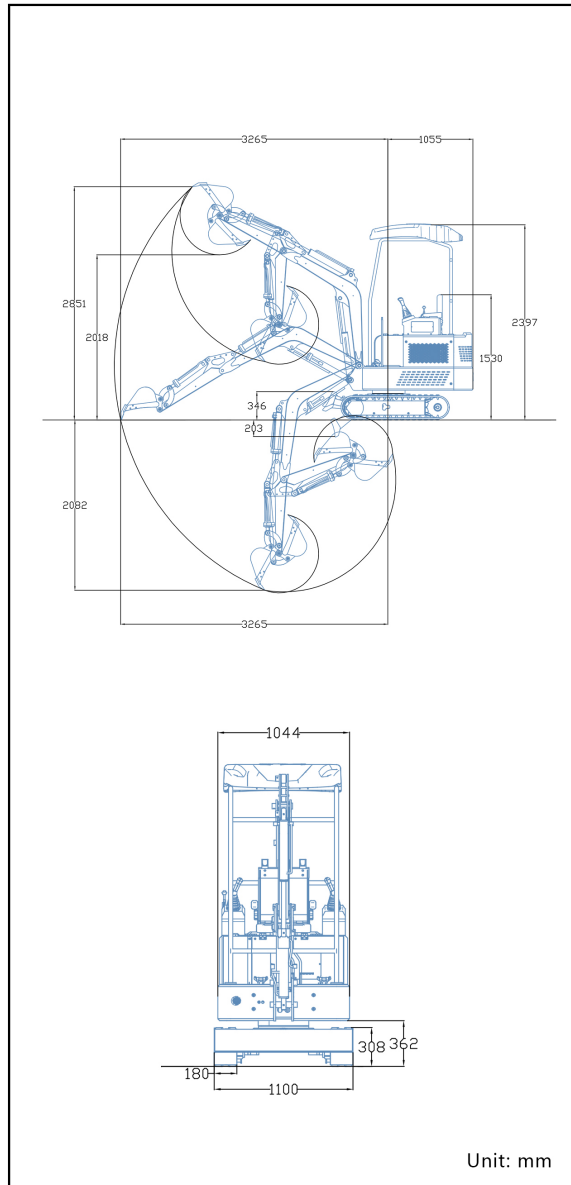


■ Schematic diagram of work area



■ Specification

Basic performance parameters	Total Weight	1320Kg
	engine model	Yanmar 374F (Euro 5/EPA4)
	Output Power	10.8kw
	Walking speed	0-1.5km/h
	Climbing angle	30°
	Maximum digging height	2851mm
	Maximum digging depth	2114mm
	Maximum digging radius	3265mm
	Maximum unloading height	2018mm
	Radius of gyration	1508mm
	Minimum tail turning radius	1055mm
	Maximum lifting height of dozer blade	330mm
	Maximum sinking height of bulldozer blade	195mm
	Transport width	1100mm
Engine	Shipping length	2547mm
	transport height	2397mm
	Track height	308mm
	Track width	180mm
	engine model	YANMAR 374F
	Horsepower(ps)	14.47
	Rated power(Kw)	10.8
	Rated speed (rpm)	2400
	Displacement	0.993
	Number of cylinders	3
cooling method	water cooling	
Engine oil replacement amount (L)	2.8	
fuel form	diesel fuel	
Maximum torque	51.8	
Compression ratio	18.1	
gear pump	1203 Double pump	



MINI EXCAVATOR R328

- Please read the instruction manual carefully and use it correctly.
 - Be sure to fasten your seat belt during operation. ※Except for soft top specification
 - When driving construction machinery with a body weight of less than 3t, please receive "special education on driving construction machinery for vehicles" in advance, and be sure to participate in "skills training for driving construction machinery for vehicles" if it is more than 3t.
- R328 According to the conditions of the Occupational Safety and Health Act, the body mass may reach 1320kg
- In order to prevent breakdowns and accidents, be sure to check the machine regularly.

**EXCELLENT PERFORMANCE FULLY MEET THE NEEDS OF
VARIOUS USERS.**



EXCELLENT BASIC PERFORMANCE

[YANMAR ENGINE]

Powerful performance in a compact design. The excellent performance brought by the extra torque greatly contributes to the improvement of workability. At the same time, low fuel consumption, low vibration, low noise, and consideration for the environment have been achieved at a high level.



YANMAR ENGINE — 374F

10.8 kw/2400rpm

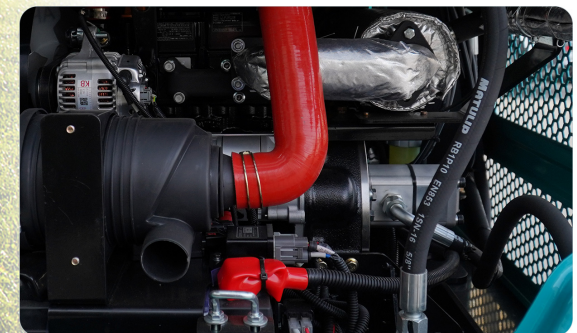
[REPLACE ASSISTIVE DEVICE MODE] (standard configuration)

When replacing auxiliary equipment such as hydraulic quick changers, breakers, and wood grabbers, you can easily replace them by pressing the button, which is convenient and quick.



[RUBBER HOSE]

Lead the air filter intake pipe to the outside of the water tank to directly absorb the natural wind from the outside, so as to avoid the impact on the engine power due to the high intake temperature of the engine, so as to reduce the service life of the engine.



R328 MINI EXCAVATOR

Big arm
Larger lifting force, larger digging range

Easily removable roof for
low-space work

Safety seats
Leather adjustable seat,
ergonomically designed,
making operation more comfortable.

One-piece stamped guard
The flip-out cover is convenient for
inspection and maintenance

Large bucket capacity significantly
improves excavation efficiency

The new structure design of the chassis
reduces the stress concentration points
and improves the durability and stability
of the equipment.

Thickened new tracks are
wear-resistant, pressure-resistant and
slip-resistant to meet your various
needs.



Reliable working performance

[Rear user small turn]

Minimize the part beyond the outside of the track when turning as much as possible, so the machine can turn safely and securely. Ease of operation is ensured even in narrow working environments

[Ultra-low noise setting]

The Ministry of Land, Infrastructure and Transport's ultra-low noise level (below 93dB) has been significantly exceeded, reducing noise in urban areas and during nighttime construction.

[Cast drive wheel]

Forged drive wheel, hemispherical structure disperses stress concentration and has a longer service life.

Minimum turning radius

1055mm

Minimum radius of gyration in front

Rear turning radius



2851mm

2114mm



[One-piece forged cylinder]

The one-piece forged cylinder rod is used, which will not break and has higher precision.



[Plastic fuel tank]

The inside of the fuel tank is cleaner, without steel shot, welding slag and other impurities, which better protects the engine and makes the engine work more efficiently. In addition, compared with iron fuel tanks, they have stronger anti-corrosion, higher safety, strong sealing and are not prone to oil leakage.

[Protectine cover]

The cylinder of the bulldozer blade is equipped with a guard to prevent the cylinder from being damaged.

[Safety seats]

New upgraded adjustable seat, lift adjustment, safe and comfortable.



[80A large battery]

Large capacity, no loss of power, meeting customers' long-term working needs, quality guaranteed by big brands.



[LED light]

It can work better at night, increasing the safety of night work.



Product Highlights

Plastic armrest box

Using high-quality high-density polyethylene plastic integrated processing and molding technology, the key switch, cup holder, instrument, hydraulic joystick, etc. are integrated and installed. The overall shape is beautiful, high strength, corrosion-resistant, anti-aging, easy to clean, wear-resistant, Water resistance, acid and alkali resistance and other advantages.



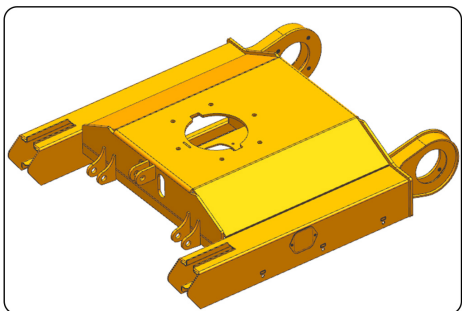
GM51H instrument

The multi-functional engine status display meter can display the engine operating speed, oil pressure value, water temperature, fuel quantity, etc. The working status is intuitive and clear, making it convenient for customers to maintain.



Footwall structure

The R328 new lower plate structure is stamped and formed in one piece. Compared with the original tailor-welded structure, the strength is increased; the overall width of the lower plate is 1100mm, with strong load-bearing capacity and high stability.



Dozer blade

The new R328 dozer blade uses a bending and flanging process, which is simpler than the original tailor-welded process. It is simple but not simple. It adds ribs to make it stronger and extend its service life. The links are equipped with grease holes for convenient lubrication.



EXCELLENT OPERABILITY AND COMFORT

