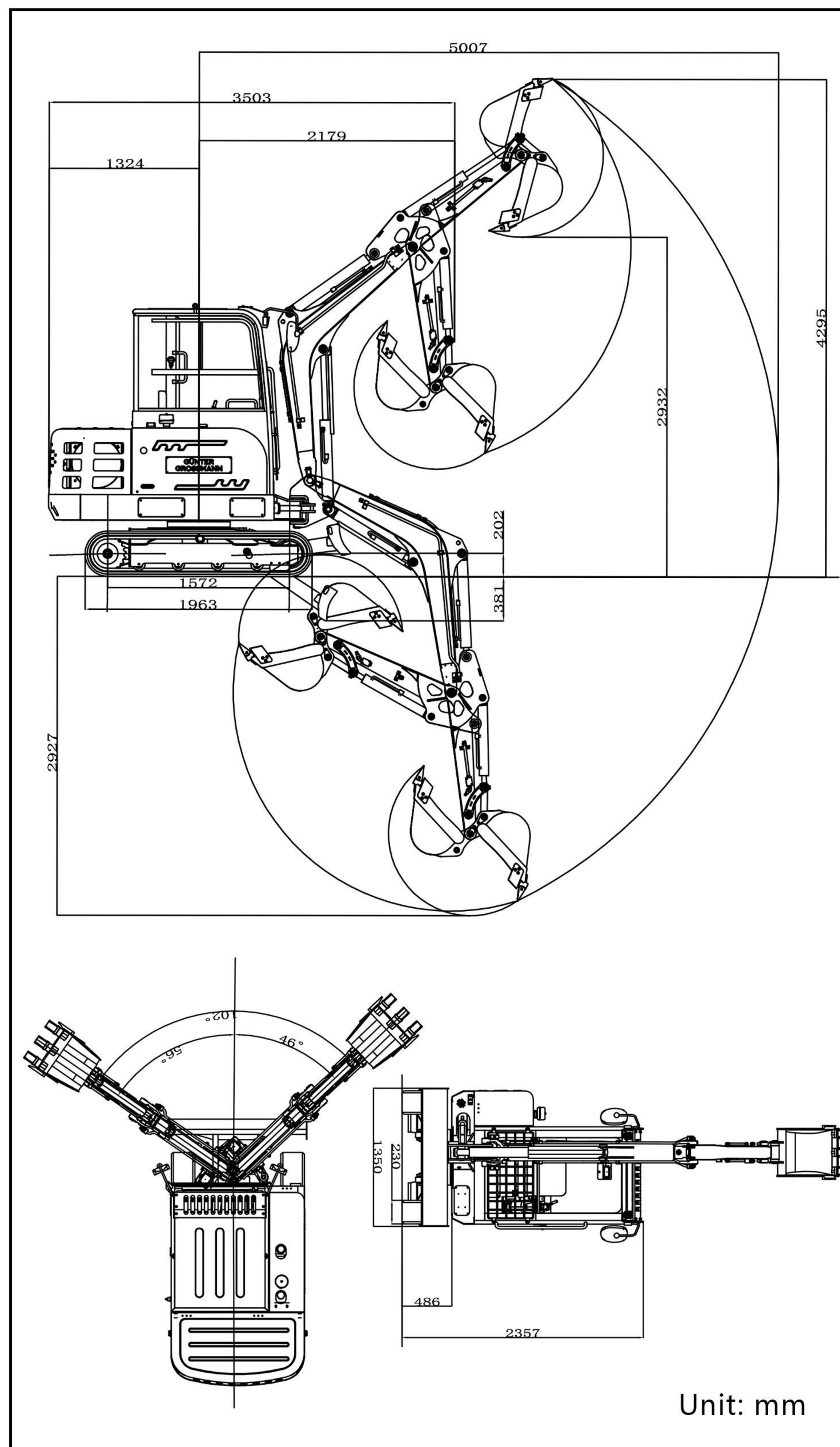


■ Schematic diagram of work area



Unit: mm

■ Specification

Basic performance parameters		
Machine working weight (kg)		2645
Bucket capacity (m³)		0.08
Travel speed low/high speed (Km/h)		0-1.6
Gradeability (%)		30%
Ground pressure (Kpa)		36.4
Maximum digging force (kN)		22.5
Maximum digging radius (mm)		5007
Maximum digging depth (mm)		2927
Maximum digging height (mm)		4295
Maximum unloading height (mm)		2932
Maximum deflection angle (°)		102
Body		
Transport length (mm)		3503
Transport width (mm)		1350
Transport height (mm)		2357
Counterweight ground clearance (mm)		486
Bucket width (mm)		400
Boom length (mm)		2220
Arm length (mm)		1620
Bulldozer blade width (mm)		1350
Engine		
Engine brand		Kubota
Engine model		V1505
Maximum horsepower (ps)		25
Maximum power (Kw)		18.5
Maximum speed (rpm)		2300
Displacement (L)		1.5
Number of cylinders		4
Cooling method		Water-cooled
Engine oil change amount (L)		6
Fuel form		Diesel
Fuel grade		0/-10
Theoretical fuel consumption (L/h)		1.3-1.5

# MINI EXCAVATOR R350



## Hydraulic system

Main pump brand	Shandong Taifeng	Travel hydraulic motor type	Zhenjiang BWV-1000WCD modified model
Main pump maximum flow (L/min)	62	Travel motor brand	Zhenjiang Dali
Multi-way valve	8-way hydraulic multi-way valve	Motor displacement	990
Multi-way valve brand	Shandong Taifeng	Slewing hydraulic motor type	Paiyi 2.5K

- Please read the instruction manual carefully and use it correctly.
  - Be sure to fasten your seat belt during operation. ※Except for soft top specification
  - When driving construction machinery with a body weight of less than 3t, please receive "special education on driving construction machinery for vehicles" in advance, and be sure to participate in "skills training for driving construction machinery for vehicles" if it is more than 3t.
- R350 According to the conditions of the Occupational Safety and Health Act, the body mass may reach 2645kg
- In order to prevent breakdowns and accidents, be sure to check the machine regularly.



# HOT SELLING MINI EXCAVATORS SUPPORT FACTORY CUSTOMIZATION





All-round cab, good sight line, can be equipped with airconditioning, comfortable operating environment.

Using high-pressure iron pipe, long life, not easy to damage.

Flip-top body, easy to check vehicle status and maintain.

The oil pipe is led to the stick, and it is more convenient to install the adapter.

The one-piece forged cylinder rod is used, which will not break and

Using Zhenjiang Dali BMV-1000 travel motor, torque.

The track belt is wide, thick and durable, and can be used in a variety of environments, effectively improving work efficiency.

The big arm can be deflected to perform operations at various angles and improve work efficiency.

Bucket spur teeth are detachable, easy to replace after wear.

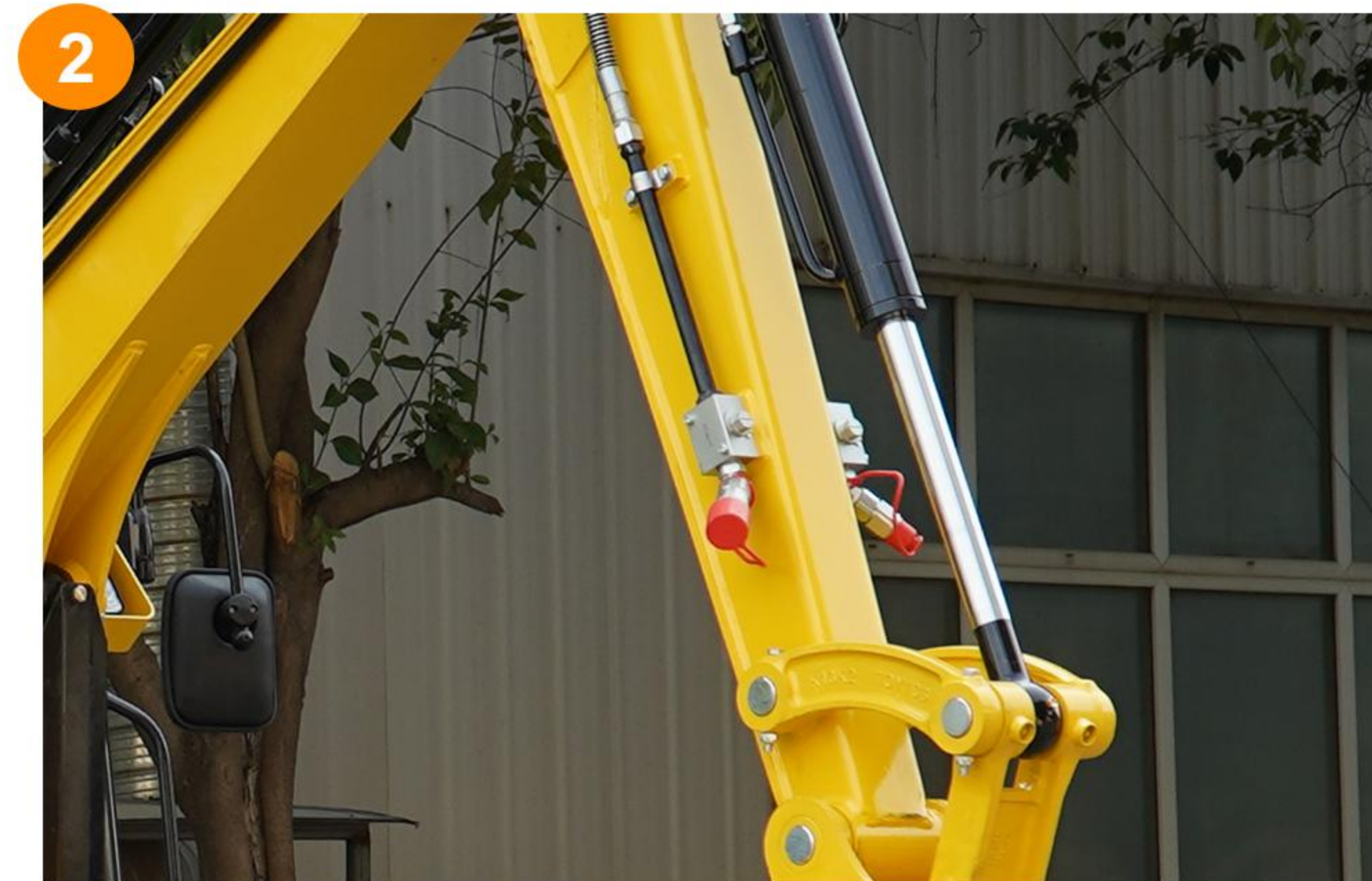




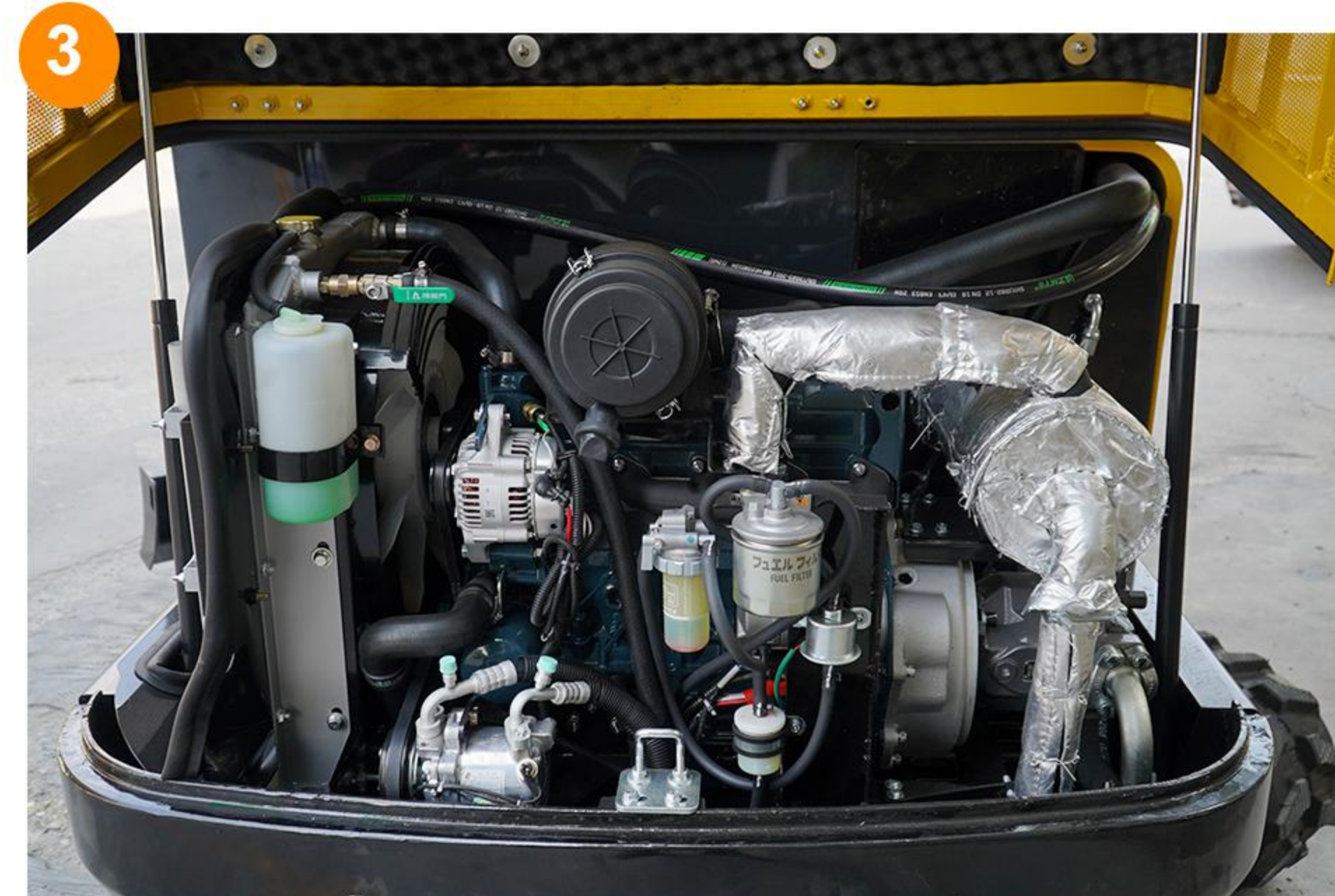
# Product introduction



All-round cab, good sight line, can be equipped with air conditioning, comfortable operating environment.



The breaker stop valve can effectively prevent oil leakage from the broken oil pipe when installing the breaker.



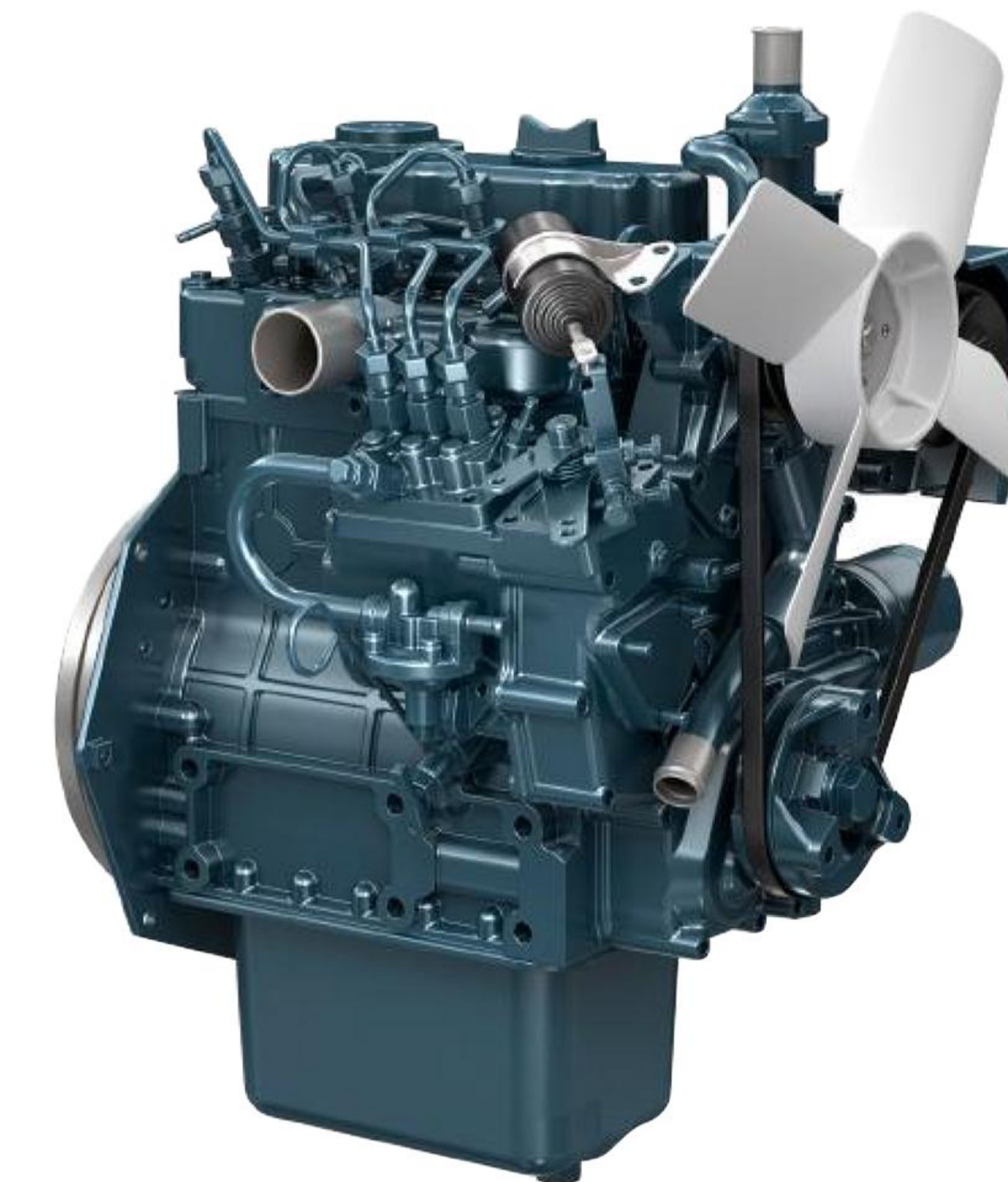
The R350 3.5-ton mini excavator can be equipped with Kubota engine/ Changchai engine/Xinchai engine to meet the needs of different countries at home and abroad;



The double-layer widened and thickened bulldozer has a longer service life.



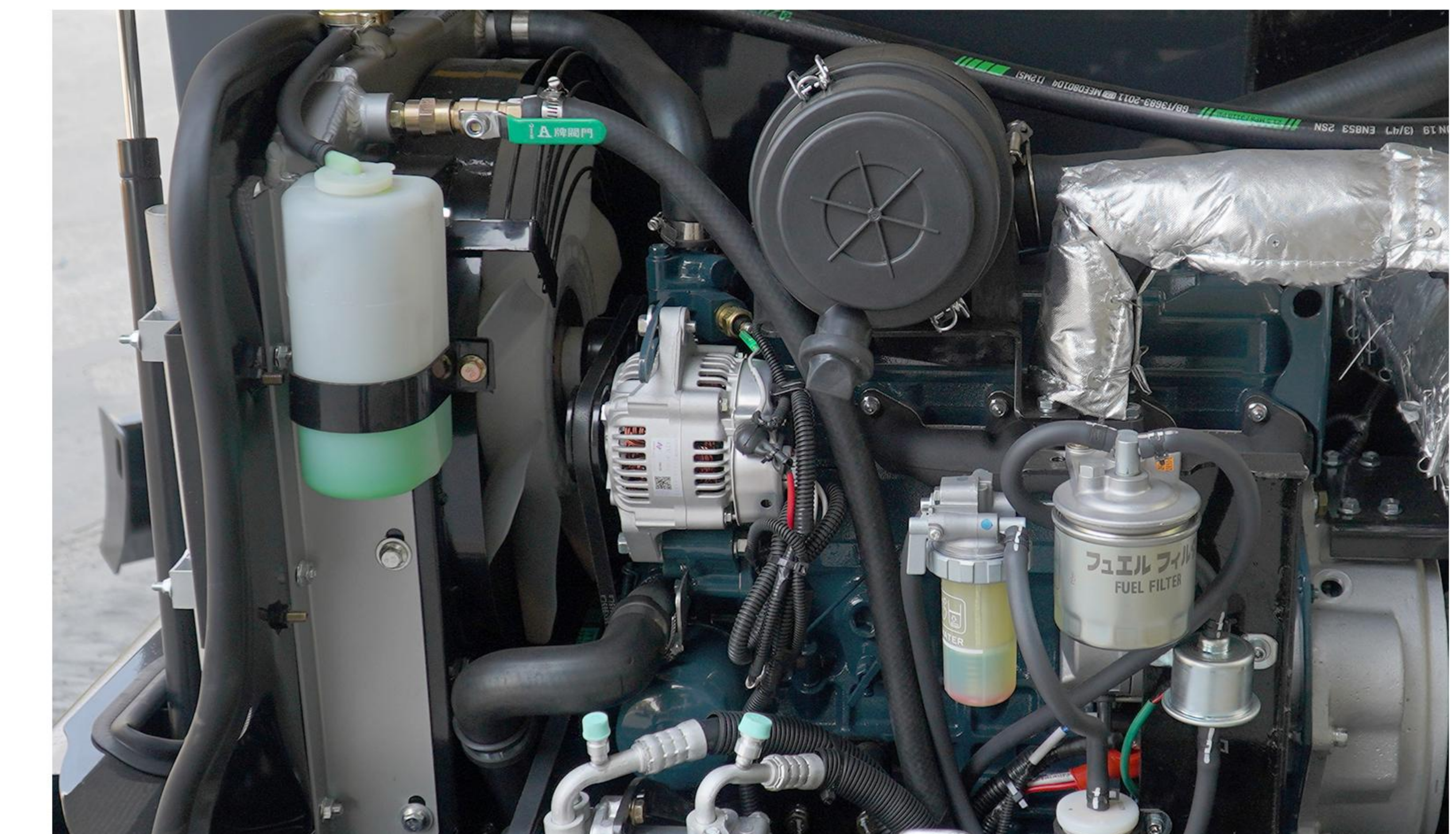
- The vehicle is equipped with a rearview mirror to facilitate observation of the real-time status behind the vehicle and safe driving.
- The oil cylinder is equipped with a protective cover to better protect the oil cylinder and avoid malfunctions caused by bumps during operation.
- The side swing of the big arm enables multi-angle operation, effectively improving work efficiency.



## KUBOTA ENGINE

While ensuring high power output of the engine, energy saving and environmental protection can be achieved. Comply with EPA4 and Euro 5 standards. Low noise, low emissions, no impact on people and the environment.

- Adding an air pre-filter can make the fuel burn more completely and save fuel.
- The flip-up rear cover makes maintenance more convenient.
- The extra-large cooling water tank is corrosion-resistant, has a large cooling area, is shock-resistant, collision-resistant and has a long service life.

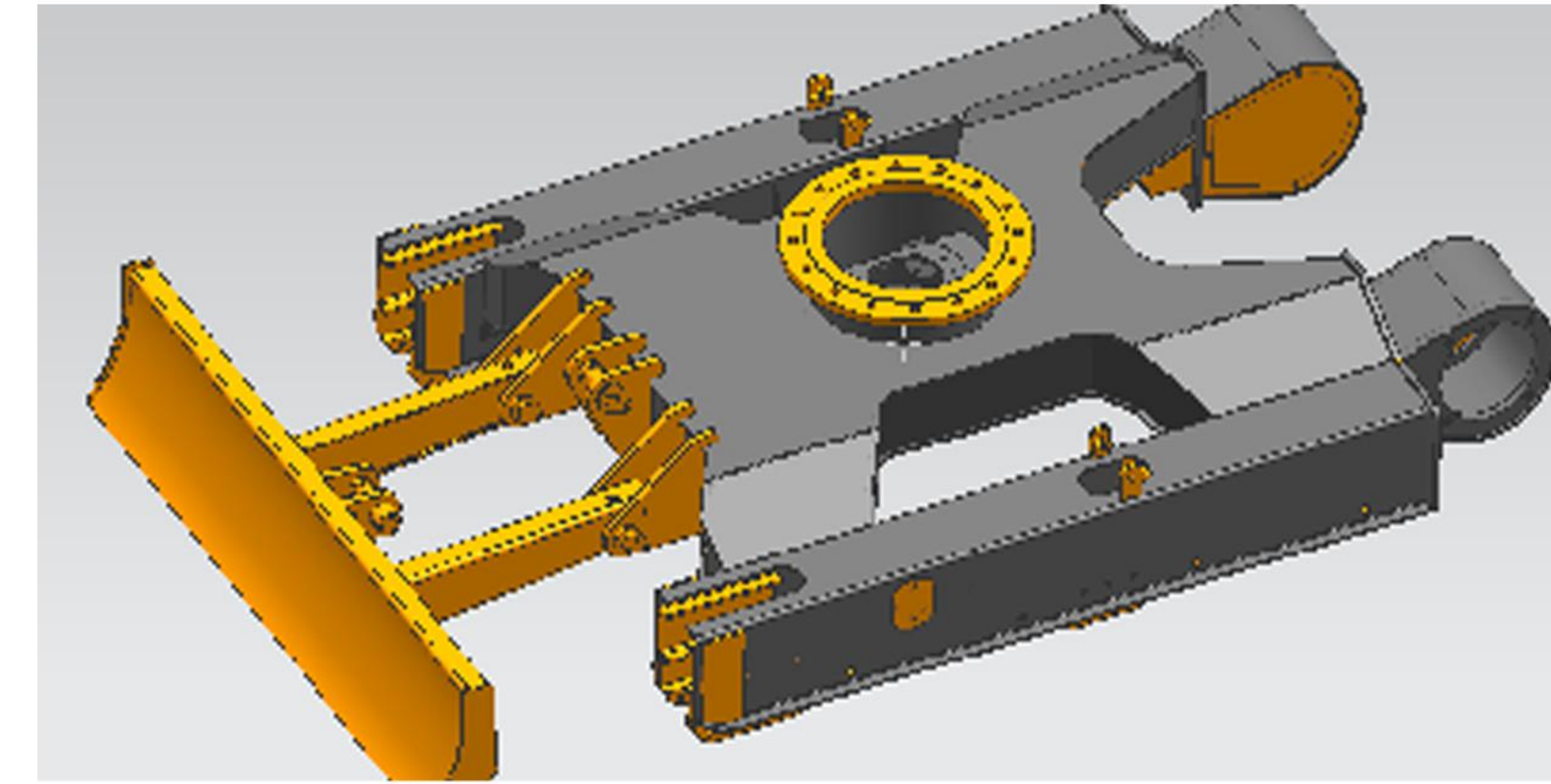




# SOLID BOTTOM PLATE

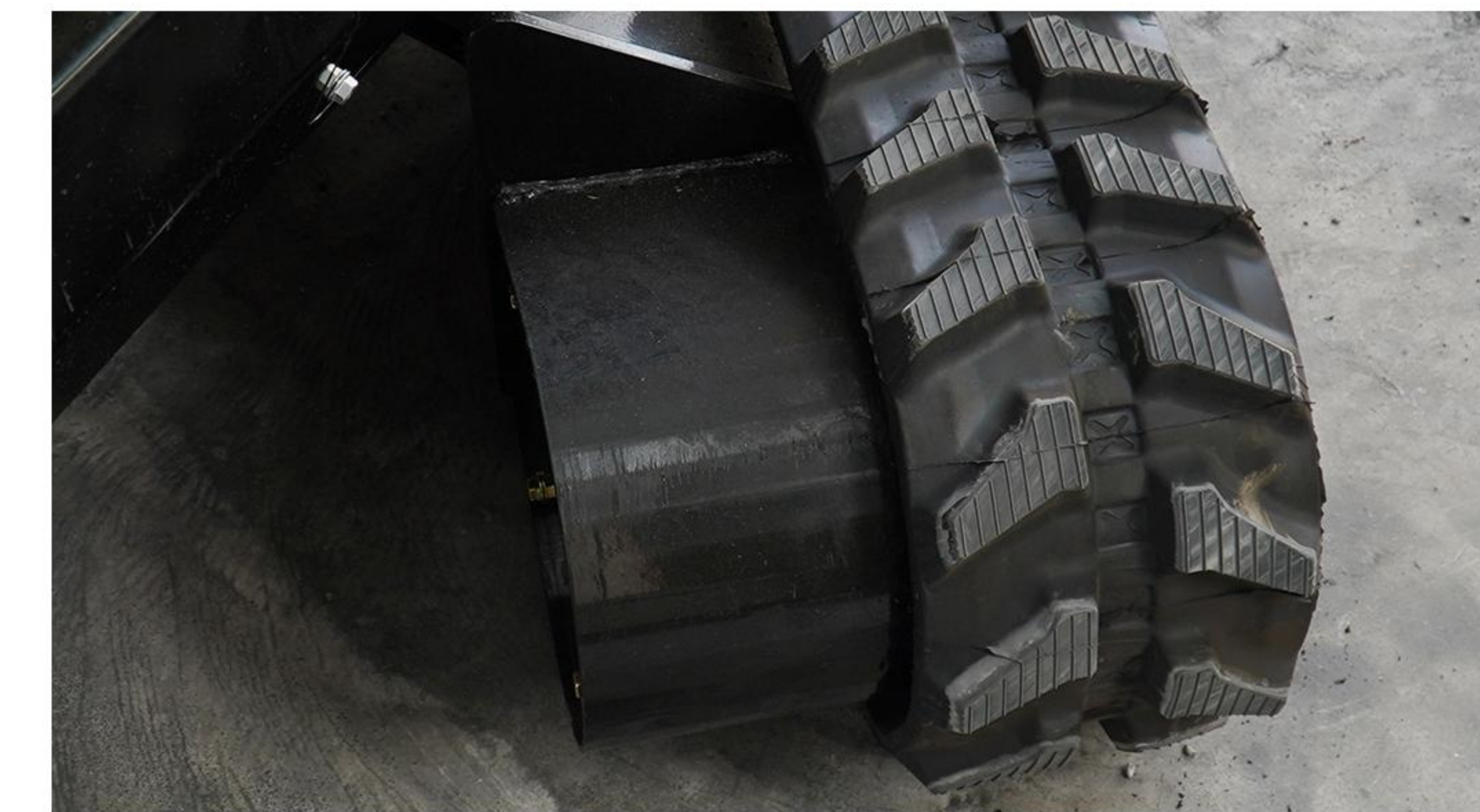


## [X-SHAPED FRAME DESIGN]



The lower plate adopts an X-shaped frame design, which has the functions of moving forward, backward and turning. The crawler chassis adopts Komatsu excavator technology, with strong carrying capacity and traction, and has good transportation performance to avoid damage to asphalt roads.

## [TRAVEL MOTOR]

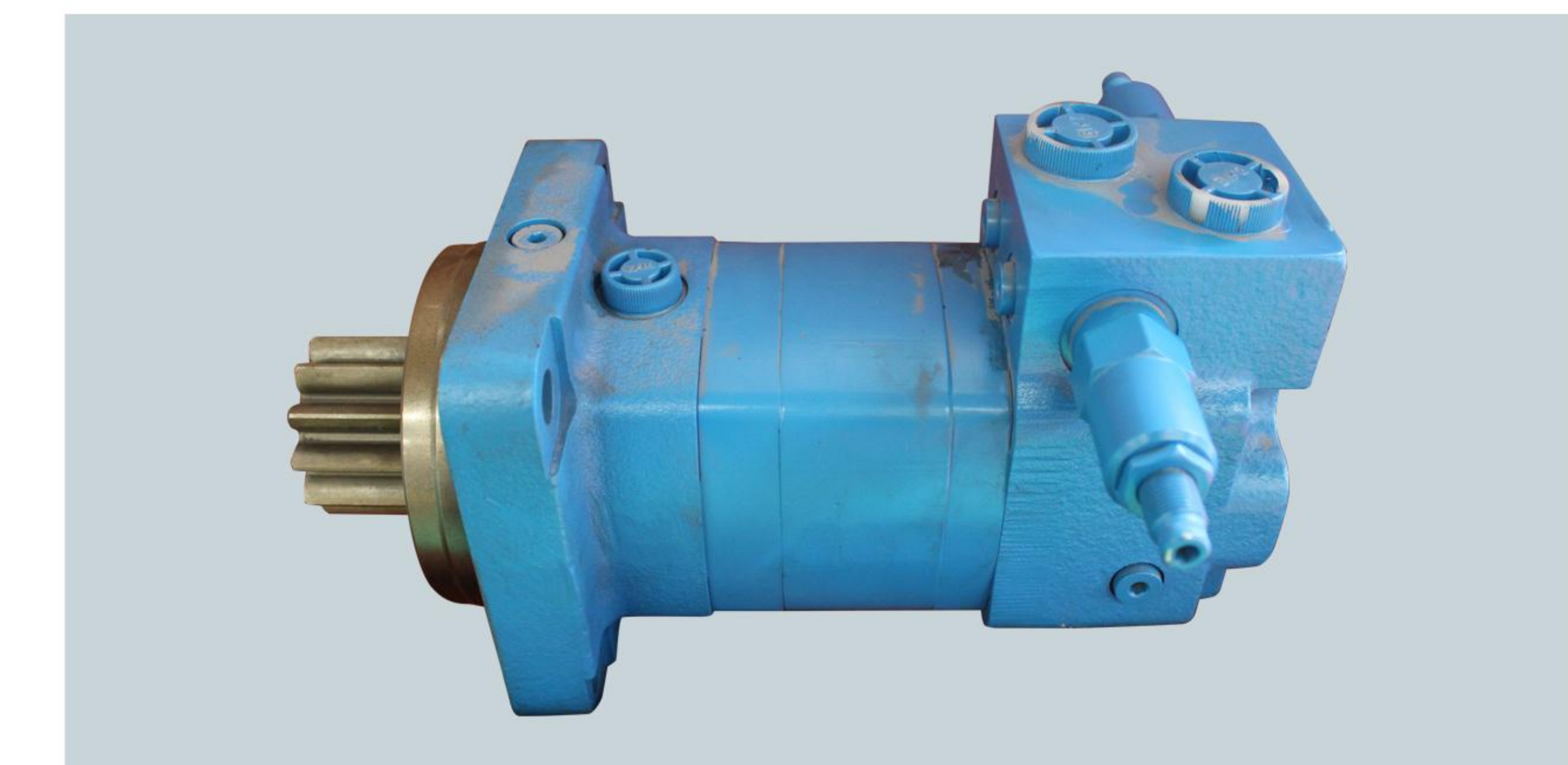


The travel motor is internally enclosed, which effectively protects the travel motor and prevents external influences and bumps.

## [ROTATING DEVICE]

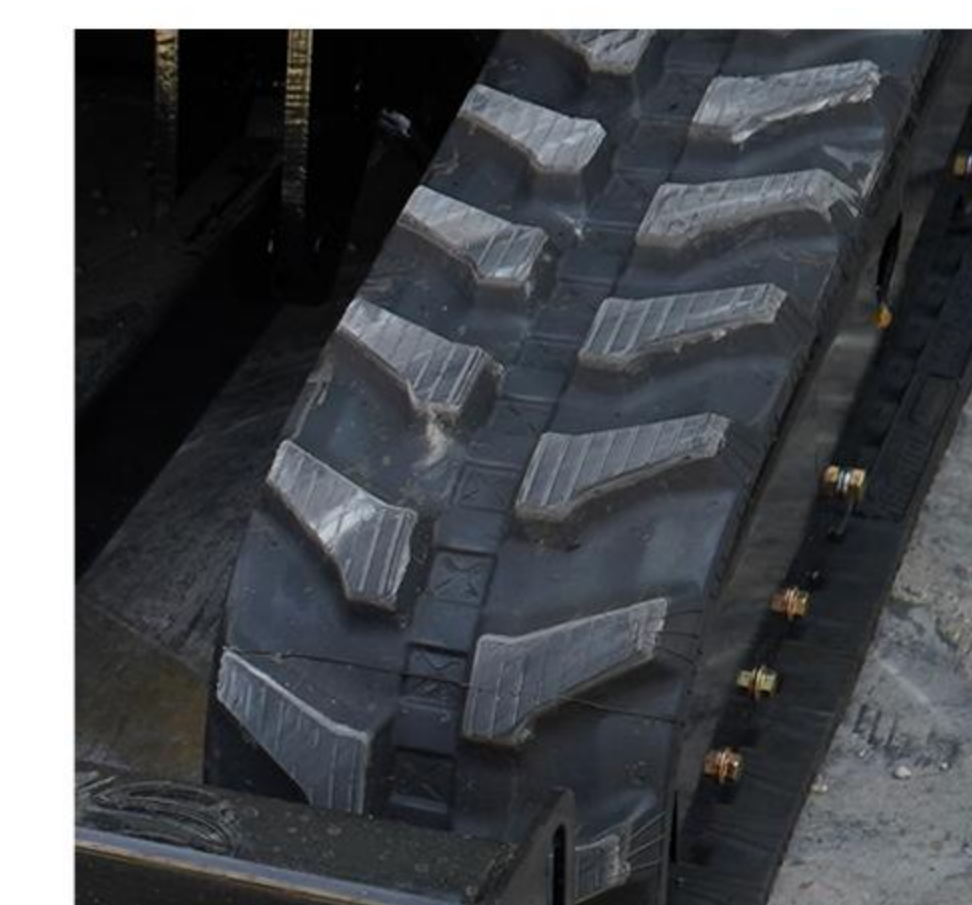


The tooth surface is quenched to greatly enhance the hardness of the tooth surface, improve the working strength and service life



The rotary hydraulic motor comes with a valve group that can balance the oil circuit, replenish oil, and control flow, with reliable quality

## [WALKING DEVICE]



The guide wheel and tensioner can guide the direction and tighten the track.

The sprocket wheels hold the track to prevent it from sagging too much.

Herringbone engineering rubber track, strong, durable and stable



# EXCELLENT OPERABILITY AND COMFORT

[Spacious and comfortable cab space]

The closed cab has a significant sound insulation effect, and combined with the air-circulating air conditioner, it effectively improves the comfort of the cab and thus improves work efficiency.



Comfortable cab

Width  
**1000mm**



## [ ELECTRONIC DISPLAY ]

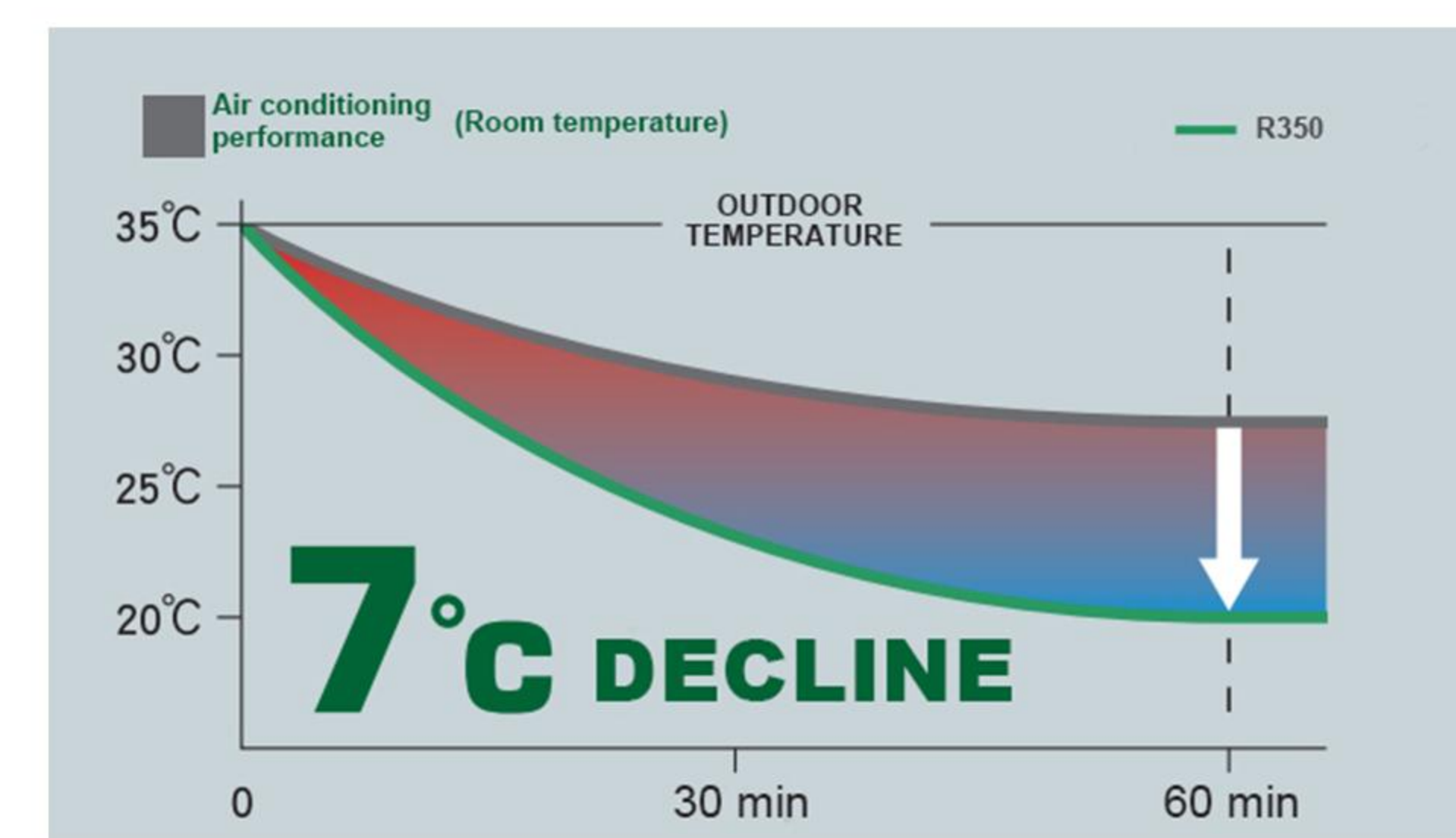
Various information can be accurately confirmed even at night. The machine's operating status and abnormal conditions will be notified to the user through the LCD screen and alarm.



- Battery level
- Oil quantity
- Water temperature
- Oil pressure alarm
- Hydraulic oil alarm
- Lamp indicator light

## [Cyclic air conditioning]

The most suitable temperature can be set according to user needs. Fresh air from the outside is introduced to maintain a comfortable environment in the cab.



Natural wind circulation fan can accelerate the flow of air and make the working environment more comfortable

## [Adjustable seat]

The best operating position can be set according to the driver's body shape and preferences, making driving more comfortable

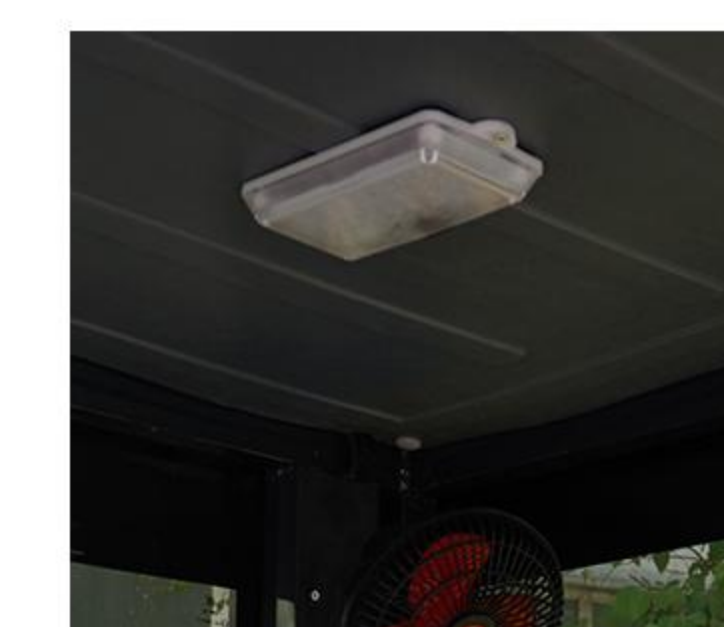


### [Pilot Control System]

The pilot operating system is controlled by a hydraulic pilot valve, making the operation more sensitive and precise, and facilitating precise operations.



Wipers



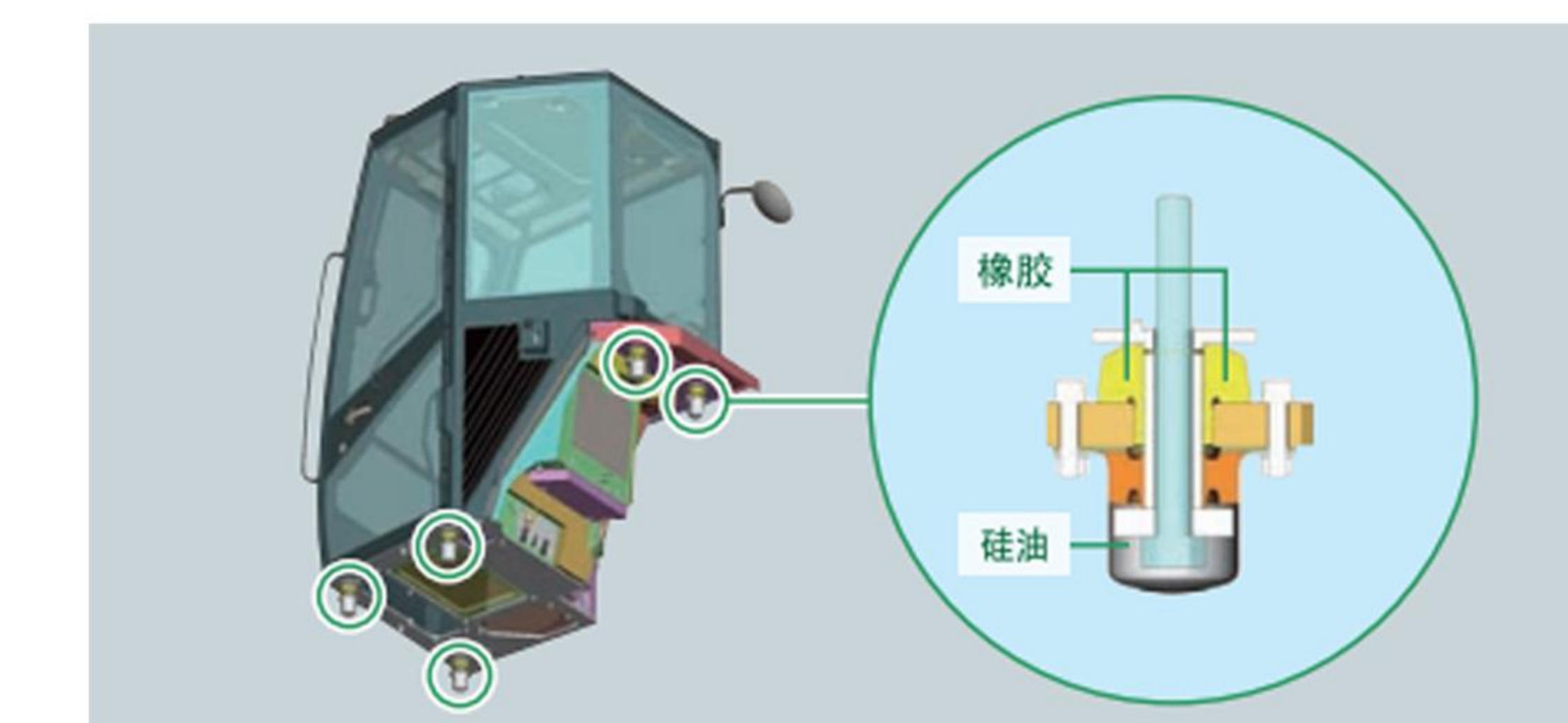
Cab lighting



Window breaker and fire extinguisher

## [Cab shockproof and buffer function]

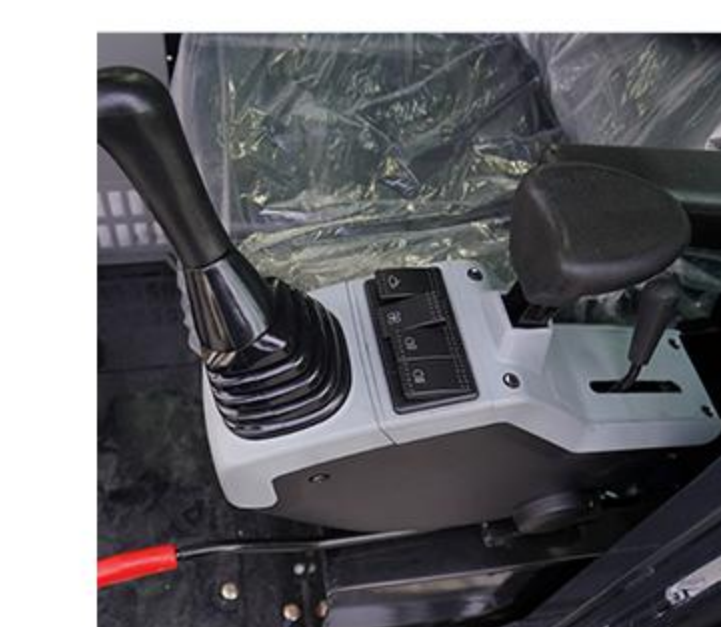
The use of liquid-filled buffer blocks effectively reduces noise and vibration in the cab and relieves driver fatigue.



Bulldozer blade and starter key



Travel operating lever



Safety lock and throttle