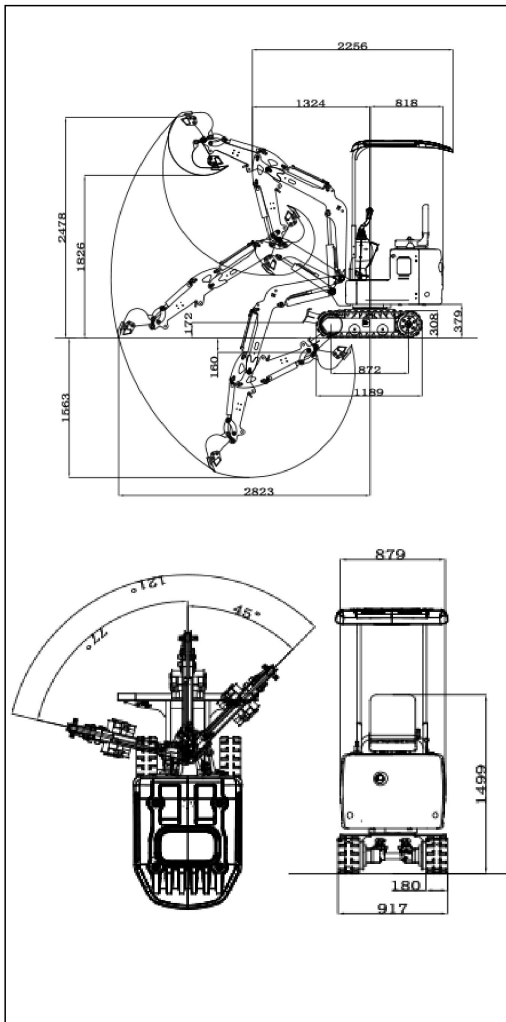


■ Envelope diagram



■ Parameters Table

	Machine working weight (kg)	910
BASIC PARAMETERS	Bucket capacity (m ³)	0.014
	Travel speed low/high speed (Km/h)	0-1.8
	Gradeability (%)	30%
	Ground pressure (Kpa)	25.53
	Maximum digging force (kN)	9.2
	Maximum digging radius (mm)	2823
	Maximum digging depth (mm)	1563
	Maximum digging height (mm)	2478
Maximum unloading height (mm)	1826	
ENGINE	Engine brand	kubota
	Engine model	D722
	Maximum horsepower (ps)	13.97
	Maximum power (Kw)	10.2
	Maximum speed (rpm)	2500
	Displacement (L)	0.719
	Number of cylinders	3
	Cooling method	Water Cooling
BODY	Engine oil change amount (L)	3.5
	Fuel form	Diesel
	Fuel grade	0/-10
	Theoretical fuel consumption (L/h)	1.1-1.5
	Transport length (mm)	2256
	Transport width (mm)	917
	Transport height (mm)	2215
	Bucket width (mm)	300
Boom length (mm)	1477	
Arm length (mm)	800	
Bulldozer blade width (mm)	885	

- Please read the instruction manual carefully and use it correctly.
- Be sure to fasten your seat belt during operation. Except for soft top specification
- When driving construction machinery with a body weight of less than 3t, please receive "special education on driving construction machinery for vehicles in advance, and be sure to participate in "skills training for driving construction machinery for vehicles" if it is more than 3t R319 According to the conditions of the Occupational Safety and Health Act, the body mass may reach 910kg
- In order to prevent breakdowns and accidents, be sure to check the machine regularly.



MINI EXCAVATOR R319

**EXCELLENT PERFORMANCE,
FULLY MEET THE NEEDS
OF VARIOUS USERS.**





Built-in oil pipe

Grease fittings
on all connections

removable
roof

R319

Super large
capacity bucket

One-piece
stamping shield

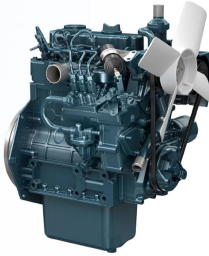
Bulldozing shovel
to add ribs

The slewing support
mounting plate is
integrated with the bridging

EXCELLENT PERFORMANCE

[WATER-COOLED KUBOTA D722 ENGINE]

While achieving energy conservation and environmental protection Ensure high power output of the engine. Comply with EPA4 and Euro 5 emission standards. Low noise, low emissions, no impact on people and the environment.



DIESEL ENGINE

10.2KW/2500RPM

[THROTTLE REGULATOR] (STANDARD CONFIGURATION)

When working, the accelerator can be adjusted according to the intensity of the work, making the work more humanized.



[BULLDOZER]

The bulldozing shovel increases the rib plate, the strength is stronger, the service life is increased, and there is butter at the connection Empty, more convenient to lubricate



RELIABLE JOB PERFORMANCE

[Rear super small turn]

Minimize the part of the turning beyond the outside of the track as much as possible, so the machine can turn safely and securely. Ease of operation is ensured even in narrow working environments.

digging depth **1563 mm**

Maximum Ground Digging Radius **2823 mm**



[LED lights]

Make night work safer



[Reinforced Chassis]

The slewing support mounting plate is integrated with the bridge frame to increase the use strength and simplify the welding process.



1104mm

[Standard assembly of dozer blade]

Suitable for various working environments.

[Rear view is wide]

Reduce dead angles, prevent accidents during slewing, and ensure the personal safety of surrounding workers.

[Driver seat]

The seat is designed according to ergonomics, and the back of the seat fits the curve of the back of the human body, which can meet the needs of users of different sizes. To a certain extent, it can reduce people's energy consumption, and can provide a comfortable backrest when people are working, so that people can always maintain a good working condition, thereby improving people's work efficiency.



[Metal Guard]

The machine cover is made of steel plate, which is not easy to be damaged. Even if damaged, it is easy to repair.

[Integral stamping shield]





EXCELLENT OPERABILITY AND COMFORT

[Convenient and simple operation panel]

Easy to use, easy to use after learning Flexible and convenient for all kinds of engineers



[Built-in tubing]

Optimize the boom structure and simplify the welding process. The oil pipe is inside the boom to reduce the damage of the oil pipe.



[Bulldozer]

The bulldozer cylinder is an integral cylinder with high strength and reliable operation.



[Adjustable Suspension]

The best operating position can be set according to the driver's body shape and preference, making driving more comfortable.



WE ARE RIPPA

Shandong Rippa Machinery Group Co., Ltd. is located in the Sixth Industrial Park, Jining high tech Zone, Shandong Province. It is a state-level high-tech enterprise with the right to import and export;

The company's staff are vigorous and enterprising, and constantly create the legend and glory of the school!



Shandong Rippa Machinery Group Co., Ltd.

Add: No.6 Industrial Park, Chongwen Avenue 2166, Gaoxin District, Jining City, Shandong Province

Some specifications are based on engineering measurements and may deviate from actual conditions. Specifications are for comparison purposes only and are subject to change without notice. Specifications of individual RIPPA equipment will vary based on normal variations in design, manufacturing, operating conditions and other factors. Some pictures of RIPPA equipment are not limited to standard packages.



<https://www.rippa.com>